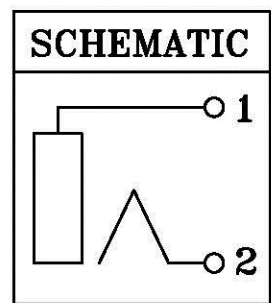
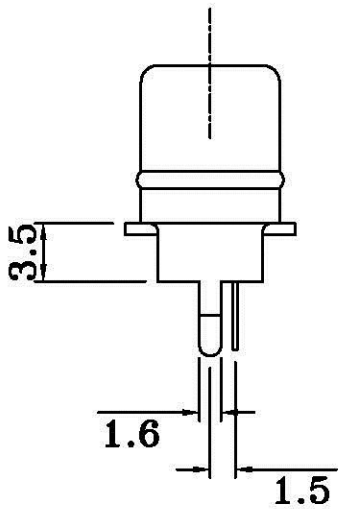


PCB LAYOUT
(BOTTOM VIEW)



NO.	NAME	MATERIAL	FINISH
1	BARREL	C.R.S.	NICKEL PLATED
2	BRACKET	C.R.S.	NICKEL PLATED
3	CENTER PIN	BRASS	TIN PLATED
4	INSERT RING	P.B.T	W,R,Y,B,BL,GR
5	INSULATOR	P.B.T.	WHITE

RCA-JD13WH-02
COLOR WH:WHITE

<p>www.allconnectors.de Tel.: 0049 711 709503 70794 Filderstadt - Germany</p> <p>info@allconnectors.de Fax: 0049 711 709504 Kellenersstr. 25</p>	PART NO. RCA-JD13WH-02		CHECKED BY CY	TOLERANCES ARE .X ± 0.2 .XX ± .XXX ± AWG	DESCRIPTION: RCA JACK	AREA	REVISIONS	HK	DATE
	DWG NO. RCA-JD13WH-02								
	UNIT / mm		SCALE 1:1	PROJECTION					