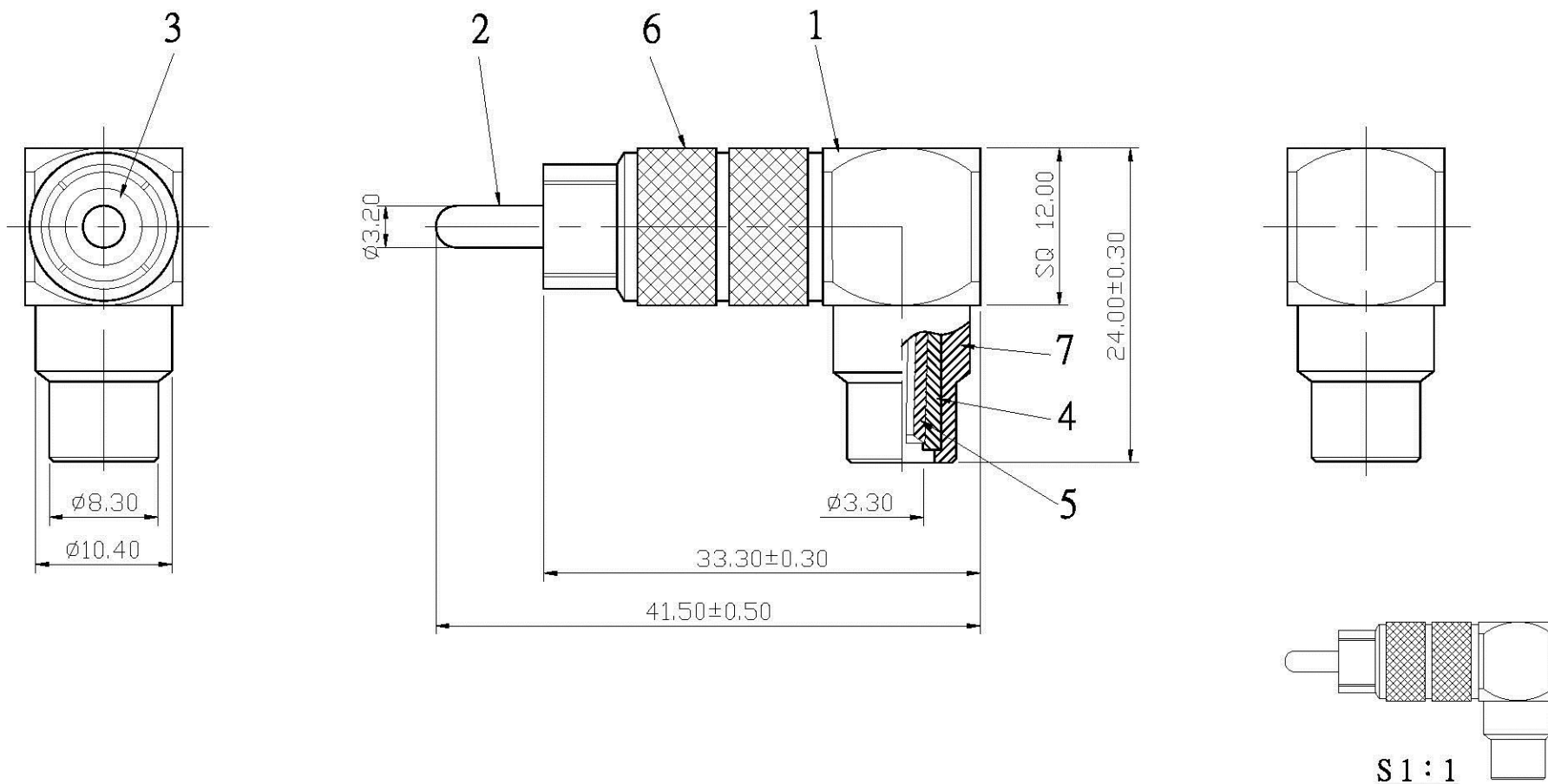


No.	DATE	DESCRIPTION	REV
△	2009. 07. 08	Drawing to renew 圖面更新	A
△	2009. 08. 05	Drawing to renew 圖面更新	B

REMARK : RoHS REQUIREMENT APPLIED
(符合RoHS)



NO.	Description	Unit	Materials	Finish	Drawing No.	SCALE	2 : 1	UNIT	MM	APPROVED	CHECKED	DRAWN	DATE	FILE NO.
7	shell	1	brass	gold		DIMENSIONS ARE IN MILLIMETERS UNLESS OTHERWISE PECIFIED TOLERANCES (一般公差) 0.5-6 = ± 0.1 >6-30 = ± 0.15 >30-120 = ± 0.2 >120-315 = ± 0.3 >315-1000 = ± 0.4 ANGLES(角度) = $\pm 3'$								
6	shell	1	brass	gold										
5	contact pin	1	brass	gold										
4	insulator	1	POM	white										
3	insulator	1	POM	white										
2	contact pin	1	brass	gold										
1	body	1	brass	gold										
										APPROVED				
											CHECKED			
												DRAWN	2007. 09. 03	

Allconnectors
 www.allconnectors.de
 Tel.: 0049 711 7008503
 70794 Filderstadt - Germany
 info@allconnectors.de
 Fax: 0049 711 7008504
 Kettenerstr. 25

TITLE: RCA ADAPTOR
 DRAWING NO.: RA-108GG-POM
 FILE NO.: DRAWINGAUDIOVRAIRA-108GG-POM