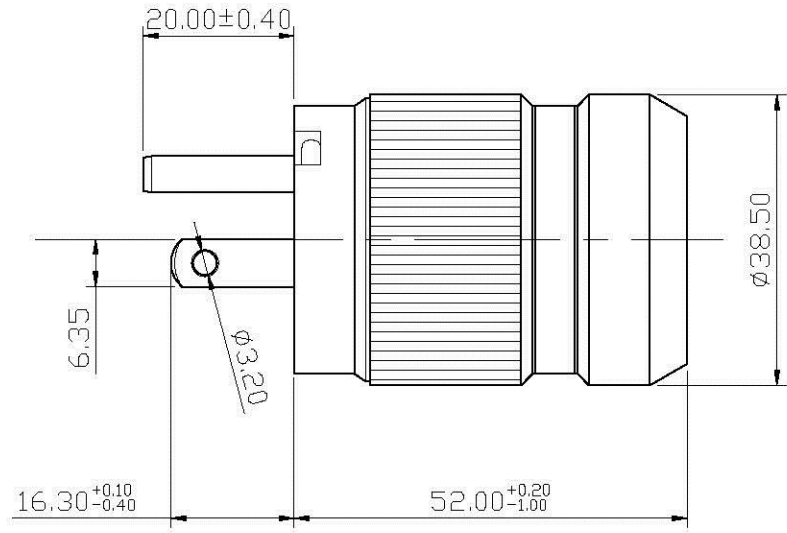
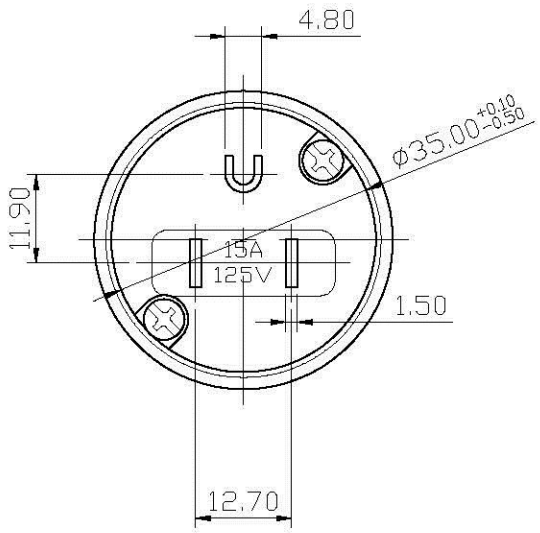



REMARK : RoHS REQUIREMENT APPLIED
(符合RoHS)



-						DIMENSIONS ARE IN MILLIMETERS UNLESS OTHERWISE PECIFIED TOLERANCES (一般公差) 0.5~6 = ±0.2 >6~30 = ±0.4 >30~120 = ±0.6 >120~315 = ±1 >315~1000 = ±1.6 ANGLES(角度) = ±5°	CHECKED	 www.allconnectors.de Tel.: 0049 711 7009903 70794 Filberstedt - Germany info@allconnectors.de Fax: 0049 711 7009904 Kettnerstr. 25
-	shell	1	plastic	transparent				
-	contact pin	3	brass	nickel			<i>Otis</i>	SPECIAL PURPOSE CONNCECTOR
-	body	1	plastic	black			DATE	DRAWING NO.
							2010. 08. 13	SPC-152PLBKN
NO.	Description	Unit	Materials	Finish	Drawing No.		SCALE 1 : 1 UNIT MM	FILE NO.