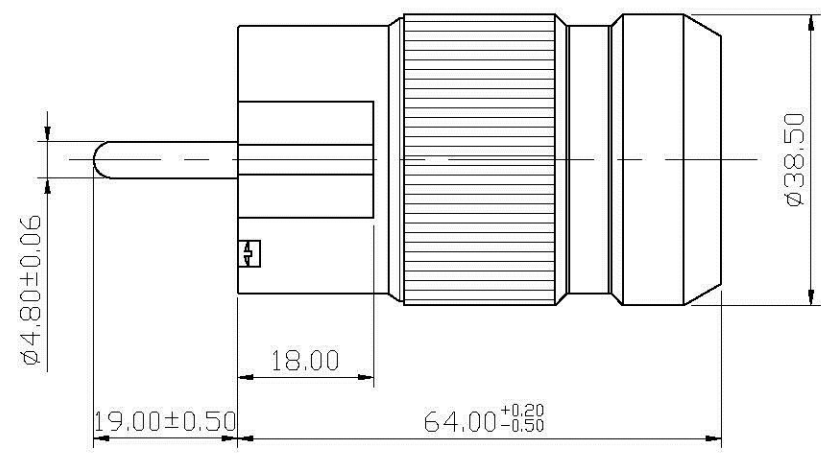
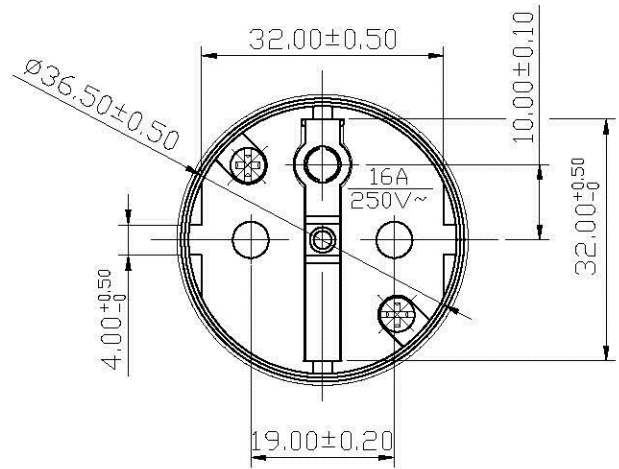


No.	DATE	DESCRIPTION	REV	REMARK : RoHS REQUIREMENT APPLIED (符合RoHS)	DATE	DRAWING NO.
-----	------	-------------	-----	---	------	-------------



-					
-					
-					
-					
-	shell	1	plastic	transparent	
-	contact pin	2	brass	nickel	
-	body	1	plastic	black	
NO.	Description	Unit	Materials	Finish	Drawing No.

DIMENSIONS ARE IN MILLIMETERS

UNLESS OTHERWISE PECIFIED TOLERANCES (一般公差)

0.5-6 = ±0.2
 >6-30 = ±0.4
 >30-120 = ±0.6
 >120-315 = ±1
 >315-1000 = ±1.6

ANGLES(角度) = ±5°

SCALE 1 : 1 UNIT MM

CHECKED

DRAWN *Jim*

DATE 2009. 05. 06

Allconnectors
 www.allconnectors.de
 Tel.: 0049 711 7009503
 70754 Filberstadt - Germany

info@allconnectors.de
 Fax: 0049 711 7009504
 Kettenerstr. 25

TITLE
SPECIAL PURPOSE CONNNECTOR

DRAWING NO.
SPC-151PLBKN

FILE NO. DRAWINGARFSPCSPC-151PLBKN