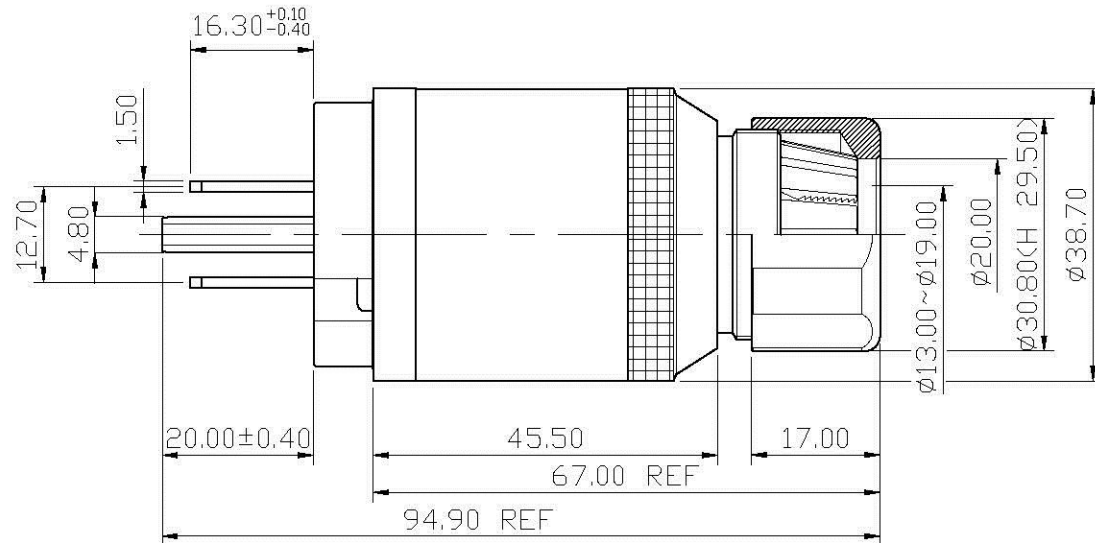
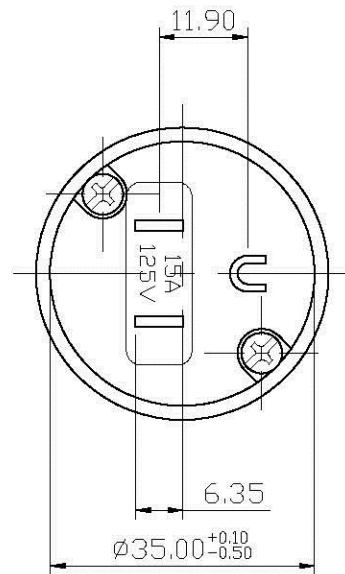


REMARK : RoHS REQUIREMENT APPLIED
(符合RoHS)



-	sleeve	1	aluminum	clear anodic treatment	
-	clip	1	plastic	black	
-	ring	1	aluminum	clear anodic treatment	
-	shell	1	black carbon fiber	nature	
-	shell	1	aluminum	clear anodic treatment	
-	screw	2	iron	nickel	
-	contact pin	3	brass	nickel	
-	body	1	plastic	black	
NO.	Description	Unit	Materials	Finish	Drawing No.

DIMENSIONS ARE IN
MILLIMETERS

UNLESS OTHERWISE PECIFIED
TOLERANCES
(一般公差)

0.5~6 = ±0.2
>6~30 = ±0.4
>30~120 = ±0.6
>120~315 = ±1
>315~1000 = ±1.6

ANGLES(角度) = ±5°

SCALE 1 : 1 UNIT MM

CHECKED

DRAWN
Jim

DATE
2011. 09. 26

Allconnectors
www.allconnectors.de
Tel.: 0049 711 7009503
70734 Filberstadt - Germany

info@allconnectors.de
Fax: 0049 711 7009504
Kettenerstr. 25

TITLE
POWER CONNECTOR

DRAWING NO.
PC-U4004BBKFALN

FILE NO.
DRAWINGAUDIOPCPC-U4004BBKFALN