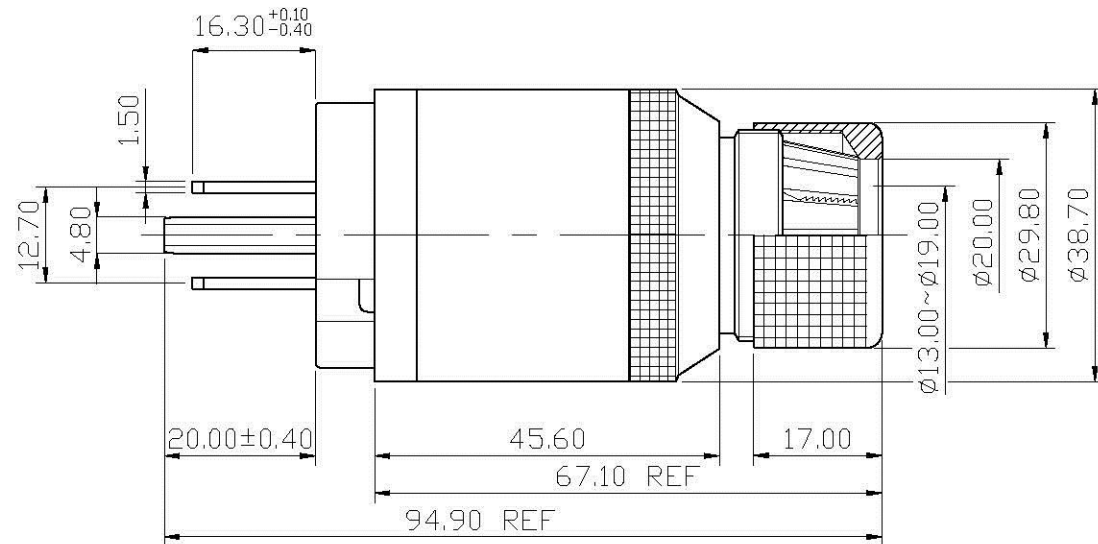
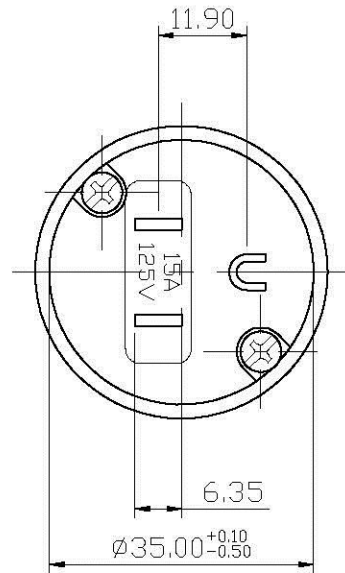



REMARK : RoHS REQUIREMENT APPLIED  
(符合RoHS)



-	sleeve	1	aluminum	clear anodic treatment		DIMENSIONS ARE IN MILLIMETERS  UNLESS OTHERWISE PECIFIED TOLERANCES (一般公差) 0.5~6 = ±0.2 >6~30 = ±0.4 >30~120 = ±0.6 >120~315 = ±1 >315~1000 = ±1.6 ANGLES(角度) = ±5°	CHECKED	 www.allconnectors.de Tel.: 0049 711 7009502 70794 Filderstadt, Germany	info@allconnectors.de Fax: 0049 711 7009504 Kettenerstr. 25
-	clip	1	plastic	black					
-	ring	1	aluminum	clear anodic treatment				TITLE	POWER CONNECTOR
-	shell	1	black carbon fiber	nature				DRAWING NO.	PC-U4003BBKFALN
-	shell	1	aluminum	clear anodic treatment				DATE	2011.09.26
-	screw	2	iron	nickel				FILE NO.	DRAWING\AUDIO\PCPC-U4003BBKFALN
-	contact pin	3	brass	nickel	BODY-PC-U101N				
-	body	1	plastic	black					
NO.	Description	Unit	Materials	Finish	Drawing No.	SCALE	1 : 1	UNIT	MM