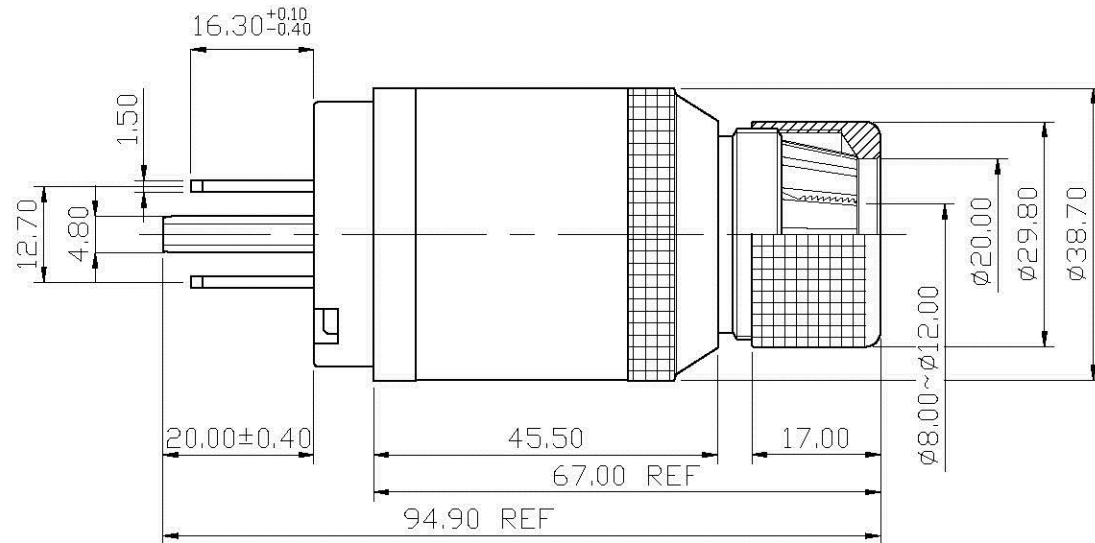
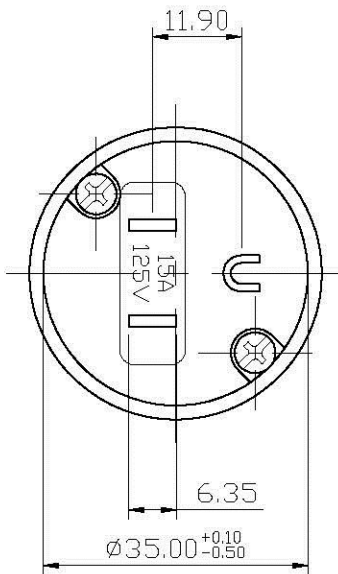


REMARK : RoHS REQUIREMENT APPLIED
(符合RoHS)



-	sleeve	1	aluminum	clear anodic treatment	
-	clip	1	plastic	black	
-	clip	1	plastic	black	
-	ring	1	aluminum	clear anodic treatment	
-	shell	1	black carbon fiber	nature	
-	shell	1	aluminum	clear anodic treatment	
-	screw	2	iron	nickel	
-	contact pin	3	brass	nickel	
-	body	1	plastic	black	
NO.	Description	Unit	Materials	Finish	Drawing No.

DIMENSIONS ARE IN MILLIMETERS
UNLESS OTHERWISE SPECIFIED
TOLERANCES
(一般公差)
0.5-6 = ±0.2
>6-30 = ±0.4
>30-120 = ±0.6
>120-315 = ±1
>315-1000 = ±1.6
ANGLES(角度) = ±5°

CHECKED

DRAWN
Jim
DATE
2011. 07. 26

All Connectors
www.allconnectors.de
Tel.: 0049 711 7008908
70794 Filsdorferstr. 16 Germany
Fax: 0049 711 7008904
Kottelmerstr. 25

TITLE
POWER CONNECTOR

DRAWING NO.
PC-U4003ABKFALN

FILE NO.
DRAWING\AUDIO\PCPC-U4003ABKFALN