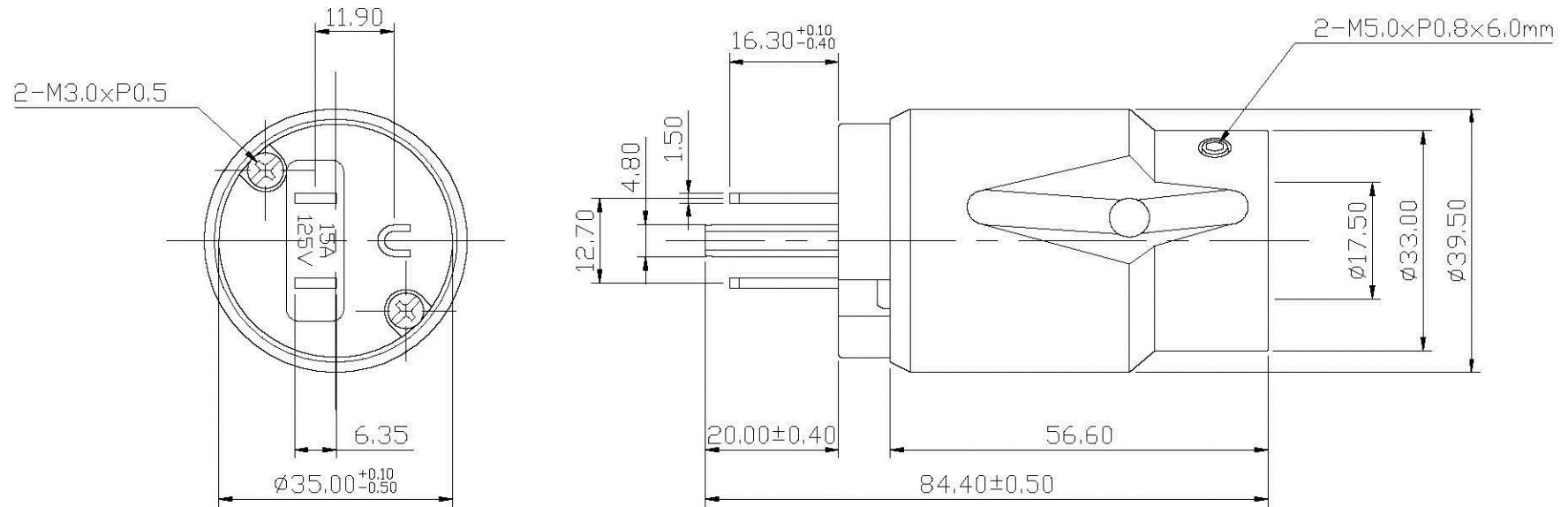



REMARK : RoHS REQUIREMENT APPLIED
(符合RoHS)



-						DIMENSIONS ARE IN MILLIMETERS UNLESS OTHERWISE PECIFIED TOLERANCES (一般公差) 0.5~6 = ± 0.2 >6~30 = ± 0.4 >30~120 = ± 0.6 >120~315 = ± 1 >315~1000 = ± 1.6 ANGLES(角度) = $\pm 5^\circ$	CHECKED DRAWN Otis DATE 2010. 06. 28	 www.allconnectors.de Tel: 0049 711 7006503 70794 Filderstadt - Germany info@allconnectors.de Fax: 0049 711 7006504 Kellernersstr. 25					
-													
-													
-													
-	gasket	2	POM	black									
-	screw	2	brass	nickel	SCREW-205N-M5XP0.8X6.0mm								
-	shell	1	aluminum	clear anodic treatment									
NO.	Description	Unit	Materials	Finish	Drawing No.	SCALE	1 : 1	UNIT	MM			TITLE	POWER CONNECTOR
												DRAWING NO.	PC-U103ALN-17.5
												FILE NO.	DRAWINGAUDIOPCPC-U103ALN-17.5