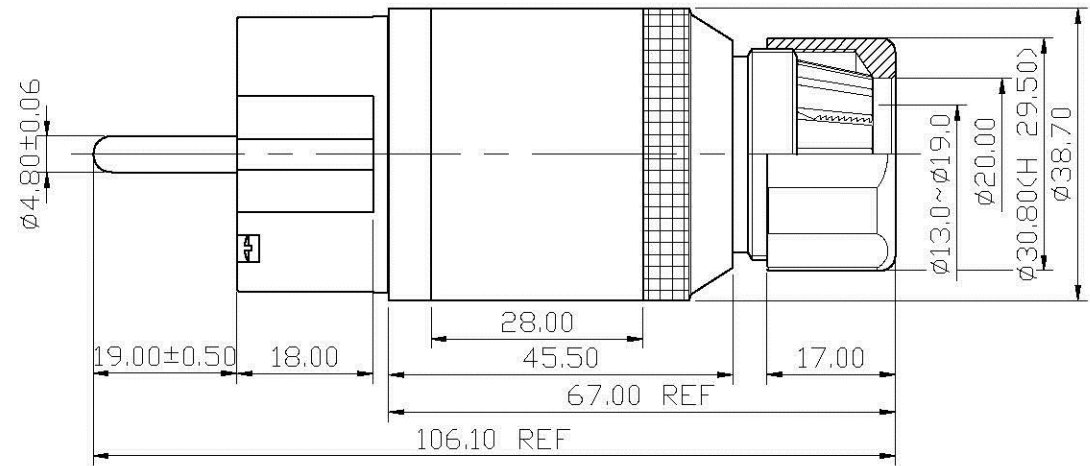
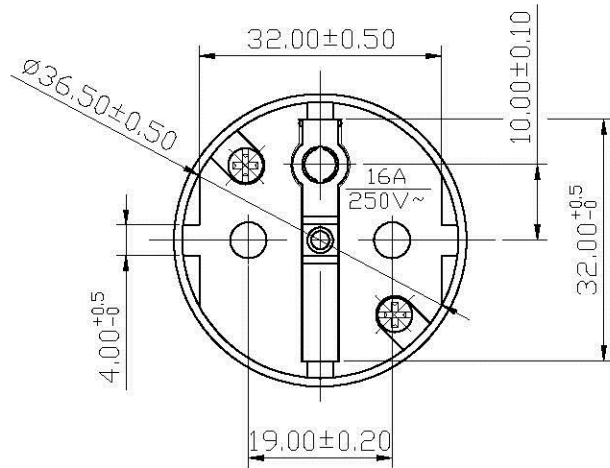


REMARK : RoHS REQUIREMENT APPLIED  
(符合RoHS)



-	sleeve	1	aluminum	clear anodic treatment	
-	clip	1	plastic	black	
-	ring	1	aluminum	clear anodic treatment	
-	shell	1	black carbon fiber	nature	
-	shell	1	aluminum	clear anodic treatment	
-	screw	2	iron	nickel	
-	contact pin	3	brass	nickel	
-	body	1	plastic	black	
NO.	Description	Unit	Materials	Finish	Drawing No.

DIMENSIONS ARE IN MILLIMETERS		
UNLESS OTHERWISE SPECIFIED TOLERANCES (一般公差)		
0.5~6	= ±0.2	
>6~30	= ±0.4	
>30~120	= ±0.6	
>120~315	= ±1	
>315~1000	= ±1.6	
ANGLES(角度) = ±5°		
SCALE	1 : 1	UNIT MM

CHECKED	
DRAWN	Tina
DATE	2010.07.27

	
<small>www.allconnectors.de info@allconnectors.de Tel.: 0049 711 709503 Fax: 0049 711 709504 70794 Filderstadt - Germany Kettnerstr. 25</small>	
TITLE POWER CONNECTOR	
DRAWING NO. PC-I4002BBKFALN	
FILE NO. DRAWINGAUDIOPCPC-I4002BBKFALN	