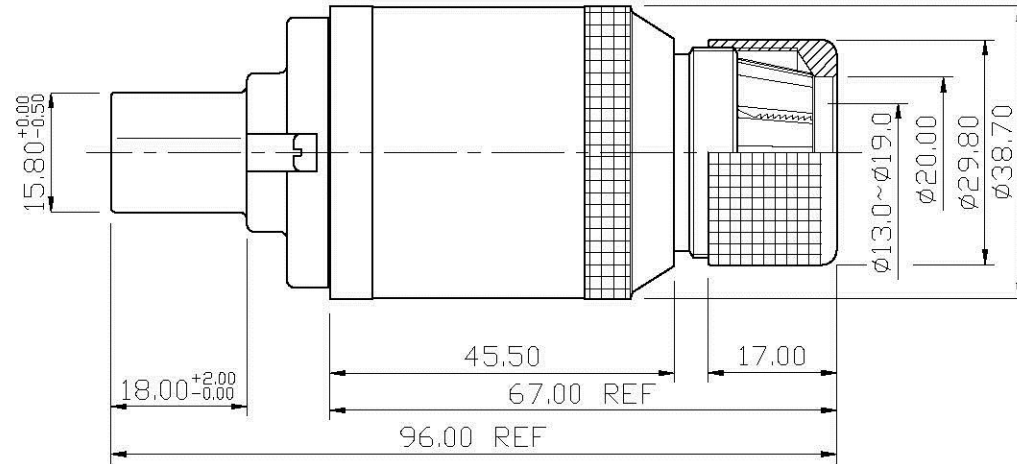
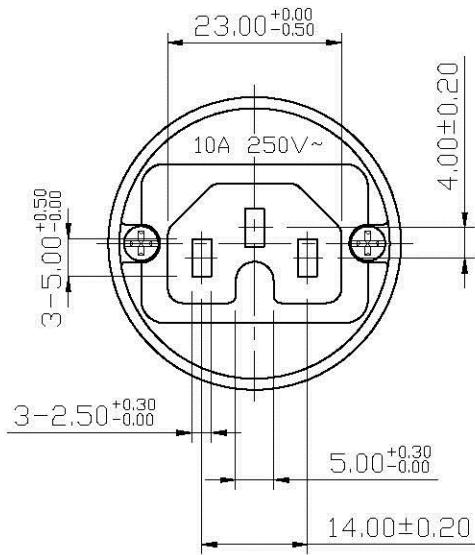


REMARK : RoHS REQUIREMENT APPLIED  
(符合RoHS)



-	sleeve	1	aluminum	clear anodic treatment	
-	clip	1	plastic	black	
-	ring	1	aluminum	clear anodic treatment	
-	shell	1	black carbon fiber	nature	
-	shell	1	aluminum	clear anodic treatment	
-	screw	2	iron	nickel	BODY-PC-I301N
-	contact pin	3	brass	nickel	
-	body	1	plastic	black	
NO.	Description	Unit	Materials	Finish	Drawing No.

DIMENSIONS ARE IN MILLIMETERS  
UNLESS OTHERWISE SPECIFIED  
TOLERANCES  
(一般公差)  
0.5-6 = ±0.2  
>6-30 = ±0.4  
>30-120 = ±0.6  
>120-315 = ±1  
>315-1000 = ±1.6  
ANGLES(角度) = ±5°

CHECKED

DRAWN

*Jim*

DATE

2011. 08. 25

**Allconnectors**

www.allconnectors.de  
Tel.: 0049 711 7000500  
70794 Filderstadt - Germany

info@allconnectors.de  
Fax: 0049 711 7000504  
Kettenerstr. 25

TITLE

POWER CONNECTOR

DRAWING NO.

PC-I4101BBKFALN

FILE NO.

DRAWING\AUDIO\PC\PC-I4101BBKFALN

SCALE 1 : 1 UNIT MM