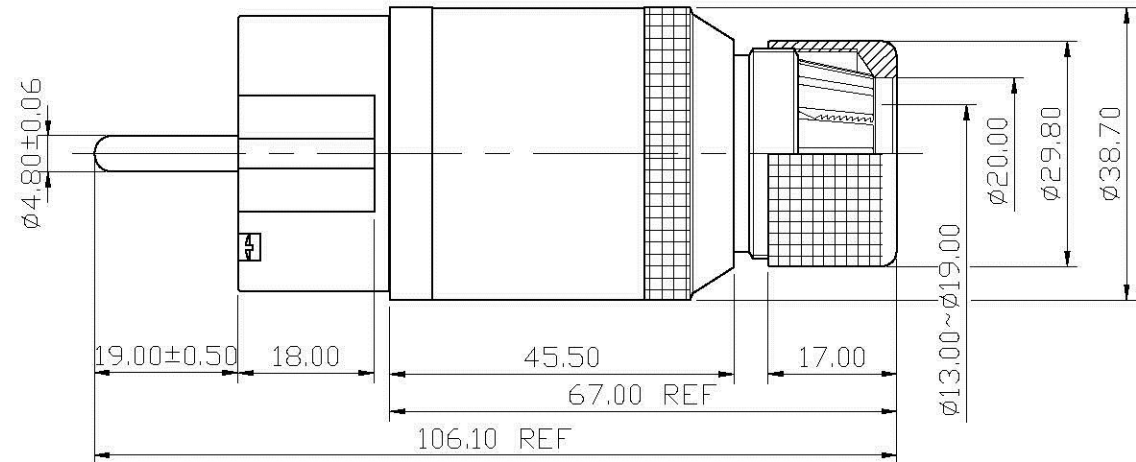
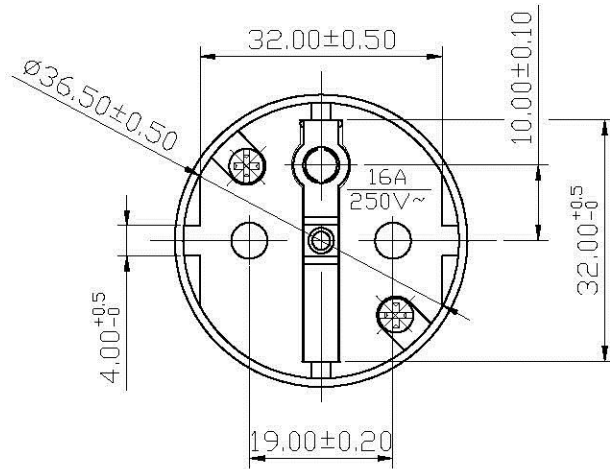


REMARK : RoHS REQUIREMENT APPLIED
(符合RoHS)



-	sleeve	1	aluminum	clear anodic treatment	
-	clip	1	plastic	black	
-	ring	1	aluminum	clear anodic treatment	
-	shell	1	black carbon fiber	nature	
-	shell	1	aluminum	clear anodic treatment	
-	screw	2	iron	nickel	
-	contact pin	3	brass	nickel	
-	body	1	plastic	black	
NO.	Description	Unit	Materials	Finish	Drawing No.

DIMENSIONS ARE IN MILLIMETERS			
UNLESS OTHERWISE PECIFIED TOLERANCES (一般公差)			
0.5~6 = ±0.2			
>6~30 = ±0.4			
>30~120 = ±0.6			
>120~315 = ±1			
>315~1000 = ±1.6			
ANGLES(角度) = ±5°			
SCALE	1 : 1	UNIT	MM

CHECKED	
DRAWN	<i>Tina</i>
DATE	2011.07.11

<small>www.allconnectors.de Tel.: 0049 711 7004504 70/91 Hilderstadt - Germany</small>	
<small>Info@allconnectors.de Fax: 0049 711 7004504 Kettamerstr. 25</small>	
TITLE	POWER CONNECTOR
DRAWING NO.	PC-I4001BBKFALN
FILE NO.	DRAWING\AUDIO\PCPC-I4001BBKFALN