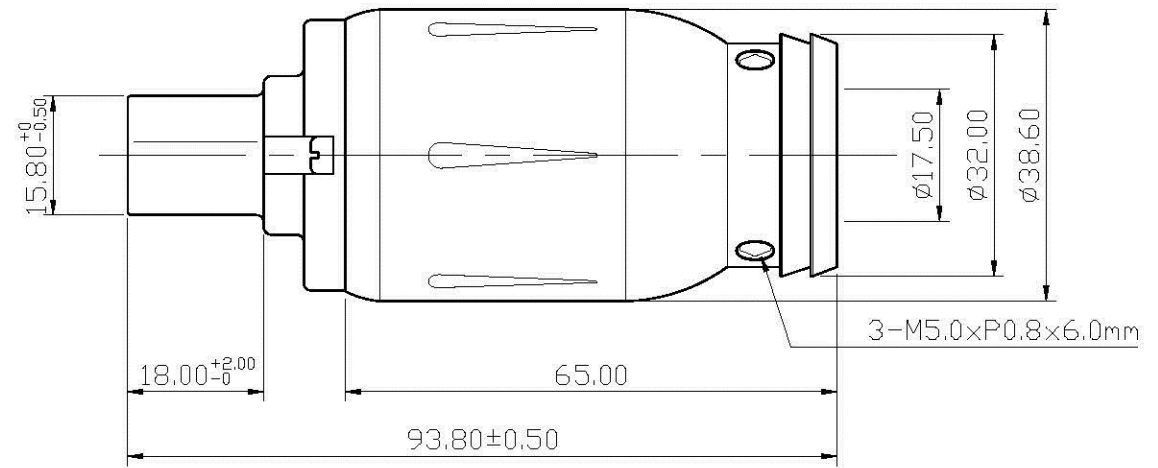
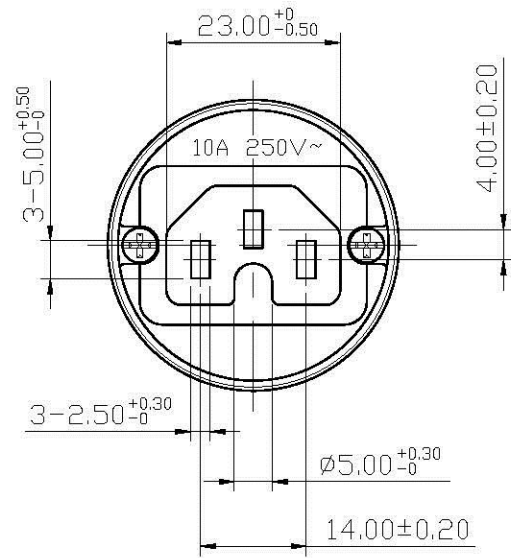



REMARK : RoHS REQUIREMENT APPLIED  
(符合RoHS)



S 1 : 1

| NO. | Description | Unit | Materials | Finish                 | Drawing No.              | SCALE  | 1 : 1 | UNIT | MM | DATE | 2010. 01. 27 | CHECKED              | <br>www.allconnectors.de<br>Tel.: 0049 711 7007503<br>70794 Filderstadt - Germany<br>info@allconnectors.de<br>Fax: 0049 711 7009504<br>Kellernstr. 25 |                                 |  |                                       |  |
|-----|-------------|------|-----------|------------------------|--------------------------|--|-------|------|----|------|--------------|----------------------|--|---------------------------------|--|---------------------------------------|--|
| -   | gasket      | 3    | POM       | black                  |                          | DIMENSIONS ARE IN MILLIMETERS<br>UNLESS OTHERWISE PECIFIED TOLERANCES<br>(一般公差)<br>0.5~6 = ±0.2<br>>6~30 = ±0.4<br>>30~120 = ±0.6<br>>120~315 = ±1<br>>315~1000 = ±1.6<br>ANGLES(角度) = ±5° |       |      |    |      |              | DRAWN<br><b>Otis</b> |  | TITLE<br><b>POWER CONNECTOR</b> |  |                                       |  |
| -   | screw       | 3    | brass     | nickel                 | SCREW-205N-M5XP0.8X6.0mm |  |       |      |    |      |              |                      |  | DATE<br>2010. 01. 27            |  | DRAWING NO.<br><b>PC-I302ALN-17.5</b> |  |
| -   | shell       | 1    | aluminum  | clear anodic treatment |                          |  |       |      |    |      |              | FILE NO.             |  |                                 |  | DRAWING/AUDIO/PC/PC-I302ALN-17.5      |  |
| -   | contact pin | 3    | brass     | nickel                 |                          |  |       |      |    |      |              |                      |  |                                 |  |                                       |  |
| -   | body        | 1    | plastic   | black                  |                          |  |       |      |    |      |              |                      |  |                                 |  |                                       |  |
| -   |             |      |           |                        |                          |  |       |      |    |      |              |                      |  |                                 |  |                                       |  |
| -   |             |      |           |                        |                          |  |       |      |    |      |              |                      |  |                                 |  |                                       |  |