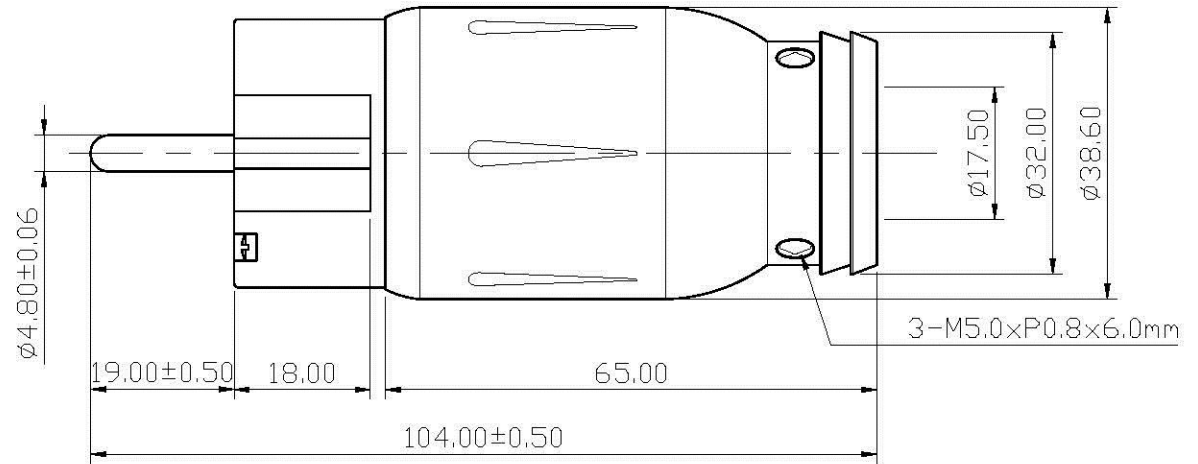
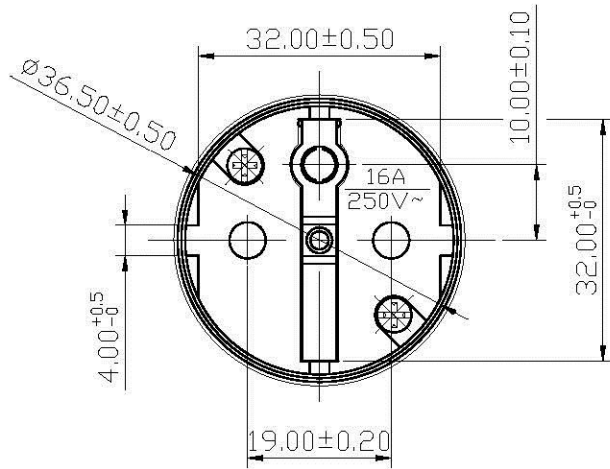


REMARK : RoHS REQUIREMENT APPLIED  
(符合RoHS)



S 1 : 1

NO.	Description	Unit	Materials	Finish	Drawing No.	SCALE	1 : 1	UNIT	MM	CHECKED	DATE	FILE NO.				
-						DIMENSIONS ARE IN MILLIMETERS UNLESS OTHERWISE PECIFIED TOLERANCES (一般公差) 0.5~6 = ±0.2 >6~30 = ±0.4 >30~120 = ±0.6 >120~315 = ±1 >315~1000 = ±1.6 ANGLES(角度) = ±5°										
-	gasket	3	POM	black												
-	screw	3	brass	nickel	SCREW-205N-M5XP0.8X6.0mm											
-	shell	1	aluminum	clear anodic treatment												
-	contact pin	3	brass	nickel												
-	body	1	plastic	black												
-																
www.allconnectors.de Tel.: 0049 711 7009508 00/91 Hilderstadt - Germany											<b>All Connectors</b> info@allconnectors.de Fax: 0049 711 7009504 Kettenerstr. 25					
DRAWN											Otis		TITLE		POWER CONNECTOR	
DATE											2010. 01. 27		DRAWING NO.		PC-I102ALN-17.5	
FILE NO.											DRAWING/AUDIO/PC/PC-I102ALN-17.5					