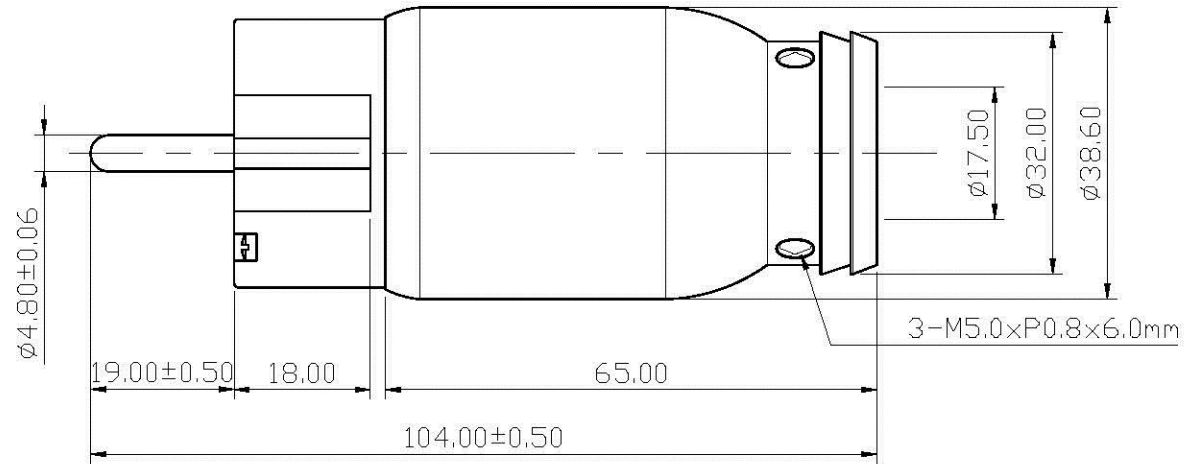
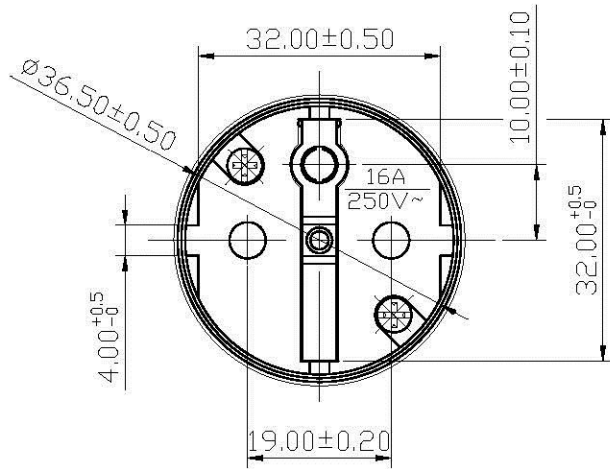



REMARK : RoHS REQUIREMENT APPLIED
(符合RoHS)



S1:1

NO.	Description	Unit	Materials	Finish	Drawing No.	SCALE	1 : 1	UNIT	MM	DATE	2010. 01. 27	CHECKED	 <small>www.allconnectors.com T: +49 049 211 209503 79704 Eilderstadt - Germany</small>						
-	gasket	3	POM	black		DIMENSIONS ARE IN MILLIMETERS UNLESS OTHERWISE PECIFIED TOLERANCES (一般公差) 0.5~6 = ±0.2 >6~30 = ±0.4 >30~120 = ±0.6 >120~315 = ±1 >315~1000 = ±1.6 ANGLES(角度) = ±5°						<small>info@allconnectors.de Fax: 049 211 209504 Kettenerstr. 25</small>							
-	screw	3	brass	nickel	SCREW-205N-M5XP0.8X6.0mm							DRAWN		Otis		TITLE		POWER CONNECTOR	
-	shell	1	aluminum	clear anodic treatment								DATE				DRAWING NO.		PC-I101ALN-17.5	
-	contact pin	3	brass	nickel												FILE NO.		DRAWINGAUDIOPCPC-I101ALN-17.5	
-	body	1	plastic	black															
-																			
-																			