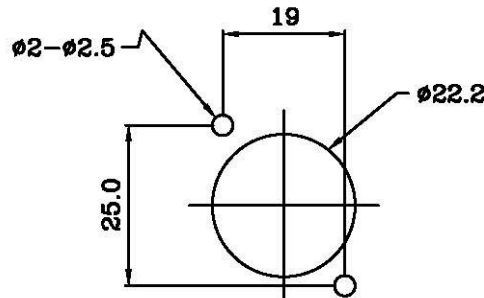
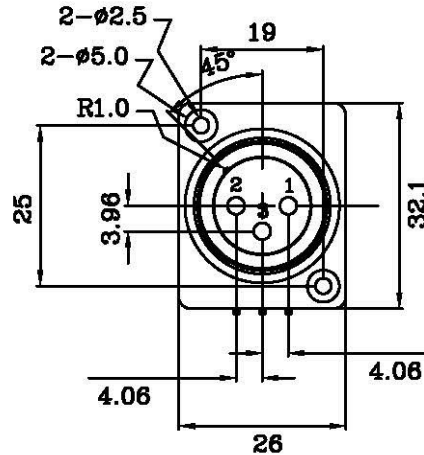
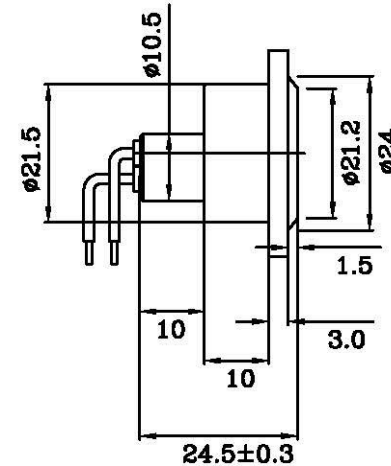
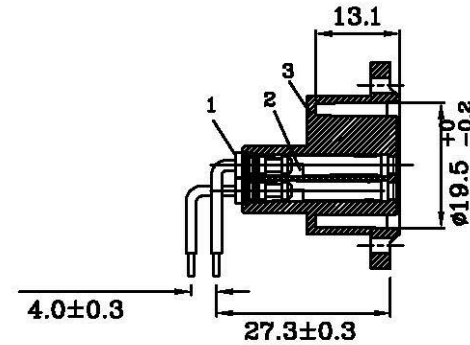


P.C.B LAYOUT (± 0.2)
(BOTTOM VIEW)



PANEL CUT OUT
(FRONT SIDE)



3	PA66-54HB/G30-BLACK
2	BRASS-Silver/Gold Plated
1	BRASS-Tin/Gold Plated
MATERIAL	

Specification

Contact resistance:	$< 5m\Omega$
Insulation resistance:	1G Ω
Dielectric strength:	1500Vdc
Insertion/withdrawal force:	$< 20N$
Life time(mating cycles):	> 1000
Temperature range:	$-30^{\circ}C$ TO $+80^{\circ}C$

RoHS Compliant

TOLERANCES ARE

All Connectors

DRAWING BY CY

X ±

CHECKED BY GENIUS

X ±

UNIT / mm

SCALE 1 : 1

.XX ±

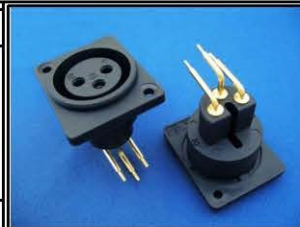
DATE

.XXX ±

SIZE A4

PROJECTION

ANG ±



ORDER INFORMATION

MIC-SRPQx-03-LF

SERIES

FEMALE

LEADFREE

03 WAY

G:GOLD

BLANK:SILVER

DIP 90°

SQUARE

PANEL

DESCRIPTION:

www.allconnectors.de

info@allconnectors.de

TEL: 0049 711 3009900

FAX: 0049 711 3009902

AU 79111 Heiderstadt - Germany

K. POTTMEISTER, JS