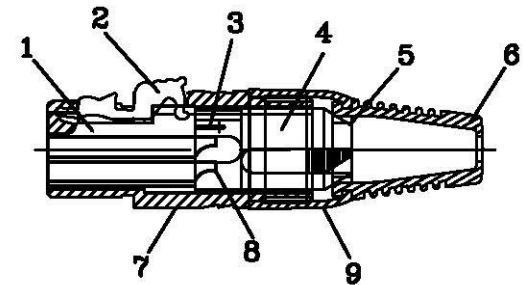
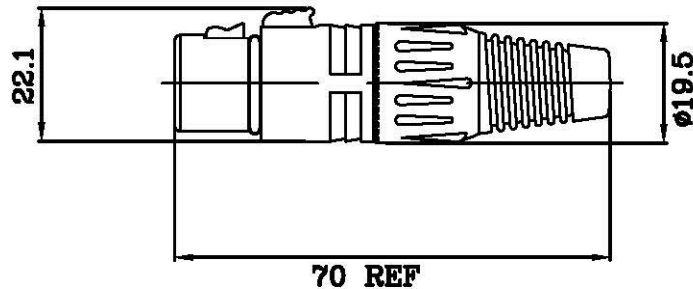
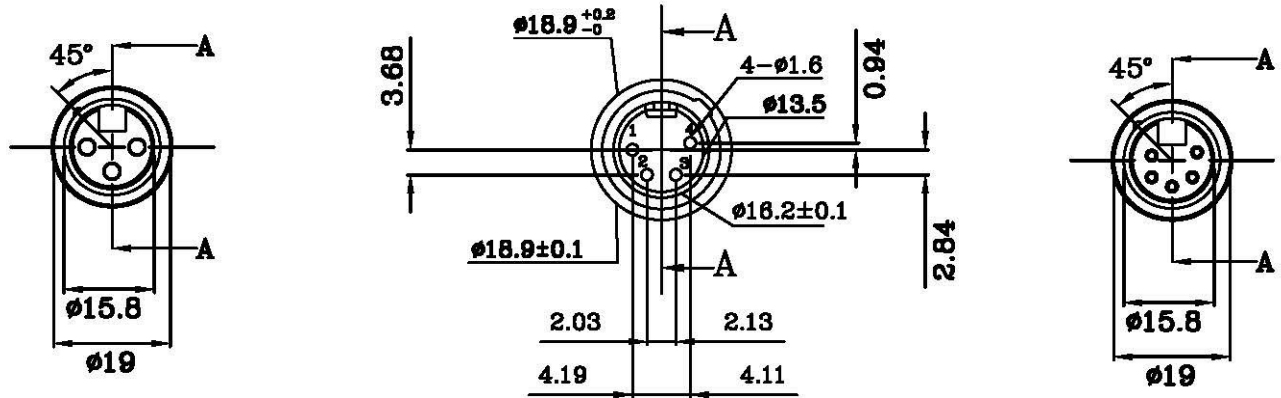


SPECIFICATIONS:

CONTACT RESISTANCE-<3M Ω
INSULATION RESISTANCE->1G Ω
DIELECTRIC STRENGTH-1500V/DC
LIFE TIME(MATING CYCLES)>1000

CONTACT	SHELL
GOLD	GOLD
GOLD	NICKEL
SILIVE	NICKEL
NICKEL	NICKEL
GOLD	BLACK PAINT

9	ABS-BLACK
8	BRASS
7	ZINC-NICKEL PLATED
6	TPR-BLACK
5	POM-BLACK
4	POM-BLACK
3	SUS-304/NICKEL PLATED
2	ZINC-NICKEL PLATED
1	ZINC-NICKEL PLATED
	MATERIAL



SECTION A-A

RoHS Compliant

All Connectors

DRAWING BY CY
 CHECKED BY GENIUS
 UNIT / mm SCALE 1 : 1
 DATE
 SIZE A4 PPROJECTION

TOLERANCES ARE

X ±
 .X ±
 .XX ±
 .XXX ±
 ANG ±



ORDER INFORMATION

MIC-SA-xx-LF
 SERIES | | LEADFREE
 | | 03-05WAY
 | | ASSEMBLY
 | | FEMALE

www.allconnectors.de
 Tel.: 0049 711 7009503
 70724 Filderstadt - Germany

Info@allconnectors.de
 Fax: 0049 711 7009504
 Kettenstr. 25

DESCRIPTION: