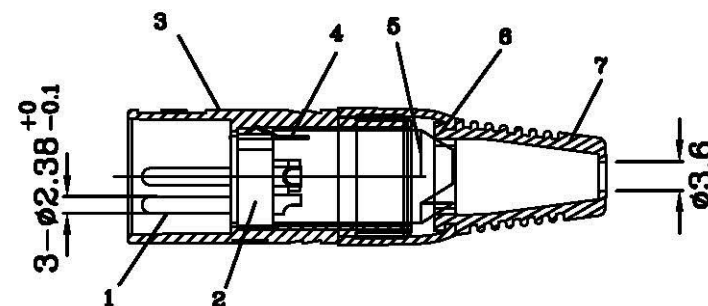
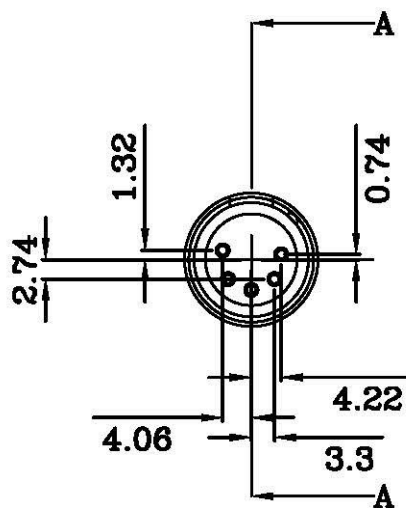
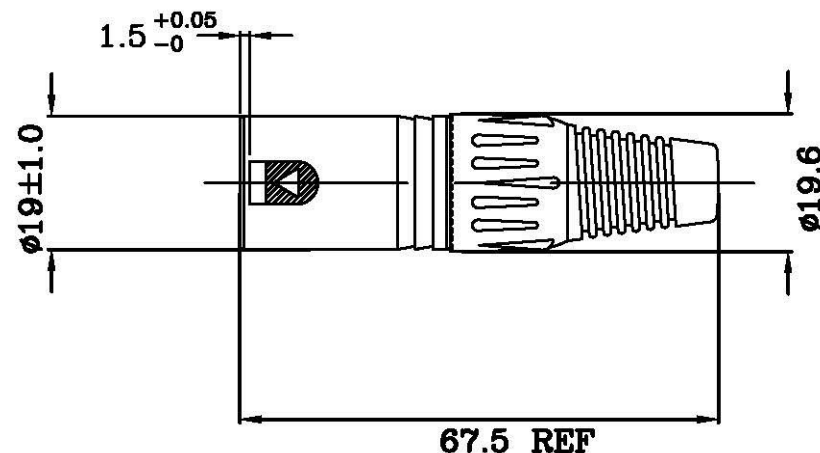


SPECIFICATIONS:

- CONTACT RESISTANCE--$3M\Omega$
- INSULATION RESISTANCE-->math>1G\Omega</math>
- DIELECTRIC STRENGTH--1500V/DC
- LIFE TIME(MATING CYCLES)>1000

7	PVC-BLACK
6	POM-BLACK
5	POM-BLACK
4	BRASS-NICKEL PLATED
3	ZINC
2	PBT-BLACK
1	BRASS
	MATERIAL



A-A SECTION

All Connectors

www.allconnectors.be
 Tel.: 0049 711 7009508
 70794 Filderstadt - Germany

info@allconnectors.be
 Fax: 0049 711 7009504
 Kettenstr. 25

RoHS Compliant

DRAWING BY CY	
CHECKED BY GENIUS	
UNIT / mm	SCALE 1 : 1
DATE	
SIZE A4	P PROJECTION

TOLERANCES ARE

- X ±
- .X ±
- .XX ±
- .XXX ±
- ANG ±



ORDER INFORMATION

MIC-PA-05-LF
 SERIES | LEADFREE
 | 05 WAY
 | ASSEMBLY
 | MALE

DESCRIPTION: