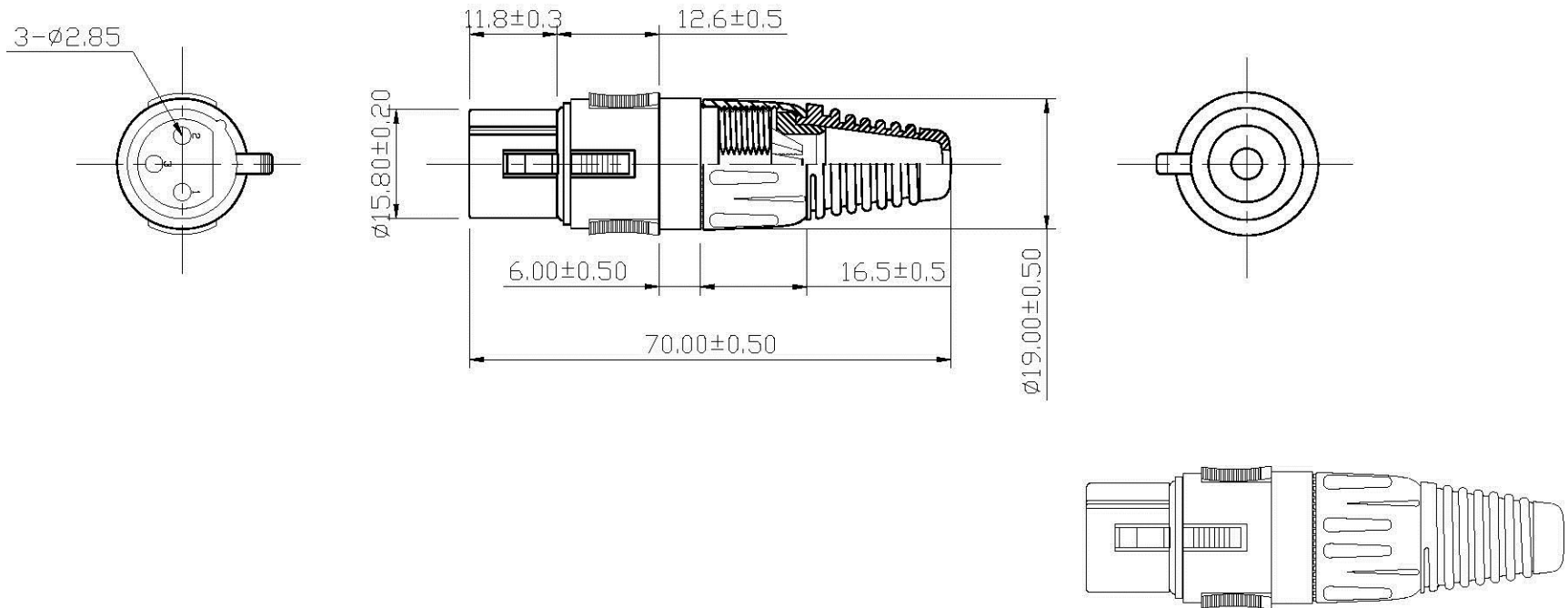


REMARK : RoHS REQUIREMENT APPLIED
(符合RoHS)



11	ring	1	plastic	black	
10	ring	1	silicon	black	
9	ring	1	FRP	black	
8	clip	1	FRP	black	
7	contact pin	3	phosphor bronze	nickel	
6	body	1	PBT+30%fiber	yellow	
5	solder tab	1	SKD-5	nickel	
4	sleeve	1	PVC	black	
3	shell	1	FRP	black	
2	shell	1	zinc alloy	nickel	
1	button	1	zinc alloy	nickel	
NO.	Description	Unit	Materials	Finish	Drawing No.

DIMENSIONS ARE IN MILLIMETERS
UNLESS OTHERWISE PECIFIED
TOLERANCES
(一般公差)
$0.5-6 = \pm 0.1$
$>6-30 = \pm 0.15$
$>30-120 = \pm 0.2$
$>120-315 = \pm 0.3$
$>315-1000 = \pm 0.4$
ANGLES(角度) = $\pm 3'$

APPROVED
CHECKED
DRAWN
Alice
DATE
2007. 10. 26

All Connectors
www.allconnectors.de info@allconnectors.de
Tel.: 0049 (0)11 7009503 Fax: 0049 (0)11 7009504
70754 Hilderstadt - Germany Kettnerstr. 27

TITLE
MICROPHONE CONNECTOR

DRAWING NO.
MI-106FN(ZA)BKPC-3N(PB)-BK

FILE NO. DRAWINGR\FM\MI-106FN(ZA)BKPC-3N(PB)-BK