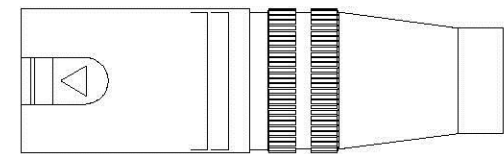
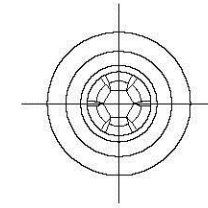
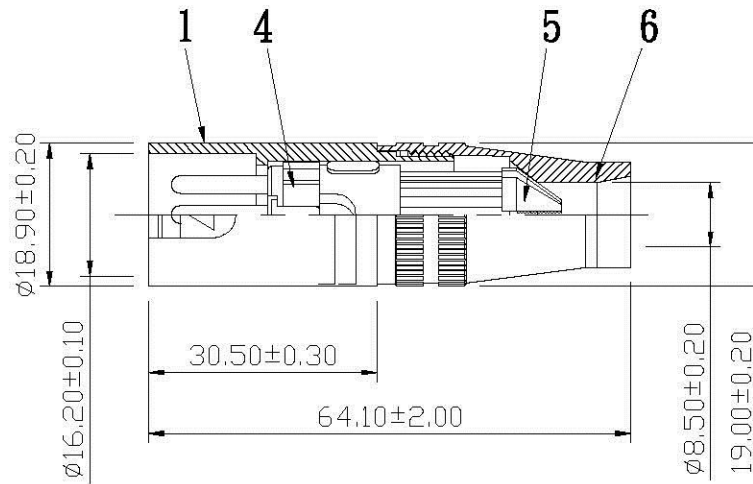
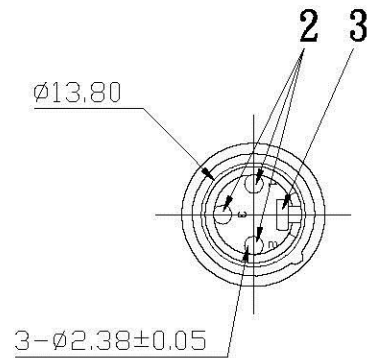



REMARK : RoHS REQUIREMENT APPLIED
(符合RoHS)



S 1 : 1

NO.	Description	Unit	Materials	Finish	Drawing No.	SCALE	1 : 1	UNIT	MM					
6	shell	1	zinc alloy	nickel		DIMENSIONS ARE IN MILLIMETERS UNLESS OTHERWISE PECIFIED TOLERANCES (一般公差) 0.5~6 = ± 0.2 >6~30 = ± 0.4 >30~120 = ± 0.6 >120~315 = ± 1 >315~1000 = ± 1.6 ANGLES(角度) = $\pm 5^\circ$								
5	clip	1	FRP	black										
4	body	1	PBT+30%fiber	black										
3	solder tab	1	bronze	nickel										
2	contact pin	3	bronze	nickel										
1	shell	1	zinc alloy	nickel										
						CHECKED	 www.allconnectors.de Tel.: 0049 711 7095509 70794 Filderstadt - Germany info@allconnectors.de Fax: 07149 711 7095504 Kettenerstr. 25							
						DRAWN					Otis			
						DATE					2010. 06. 30			
						TITLE					MICROPHONE CONNECTOR			
						DRAWING NO.	MI-104MN(ZA)N(ZA)-3N(Br)							
						FILE NO.	DRAWINGR\FM\MI-104MN(ZA)N(ZA)-3N(Br)							