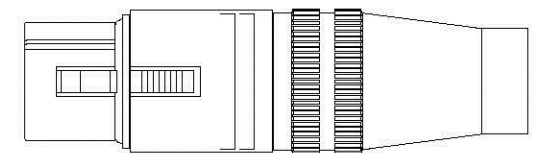
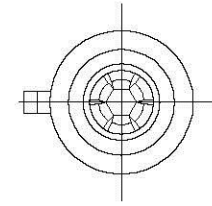
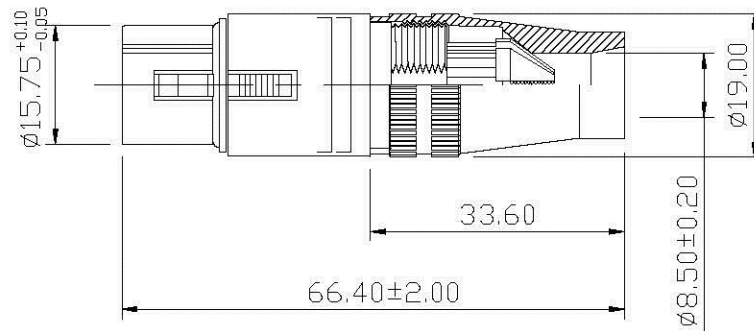
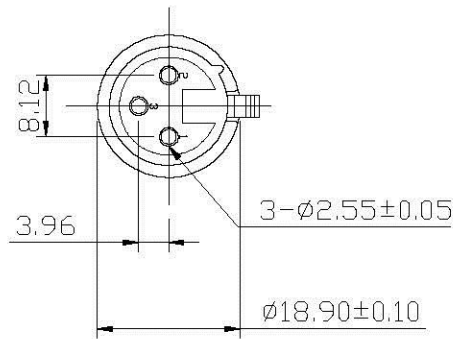



REMARK : RoHS REQUIREMENT APPLIED
(符合RoHS)



S 1 : 1

8	ring	1	FRP	black		DIMENSIONS ARE IN MILLIMETERS UNLESS OTHERWISE PECIFIED TOLERANCES (一般公差) 0.5~6 = ±0.2 >6~30 = ±0.4 >30~120 = ±0.6 >120~315 = ±1 >315~1000 = ±1.6 ANGLES(角度) = ±5°	CHECKED DRAWN Otis DATE 2010. 06. 30	 www.allconnectors.de Tel.: 0049 711 7009703 70794 Hilderstadt - Germany Info@allconnectors.de Fax: 0049 711 7009704 Kellernstr. 25			
7	clip	1	FRP	black							
6	contact pin	3	phosphor bronze	nickel							
5	body	1	PBT+30%fiber	black							
4	solder tab	1	SKD-5	nickel							
3	shell	1	zinc alloy	nickel							
2	shell	1	zinc alloy	nickel							
1	button	1	zinc alloy	nickel							
NO.	Description	Unit	Materials	Finish	Drawing No.	SCALE	1 : 1	UNIT	MM		TITLE MICROPHONE CONNECTOR DRAWING NO. MI-104FN(ZA)N(ZA)-3N(PB) FILE NO. DRAWING\RFM\MI-104FN(ZA)N(ZA)-3N(PB)