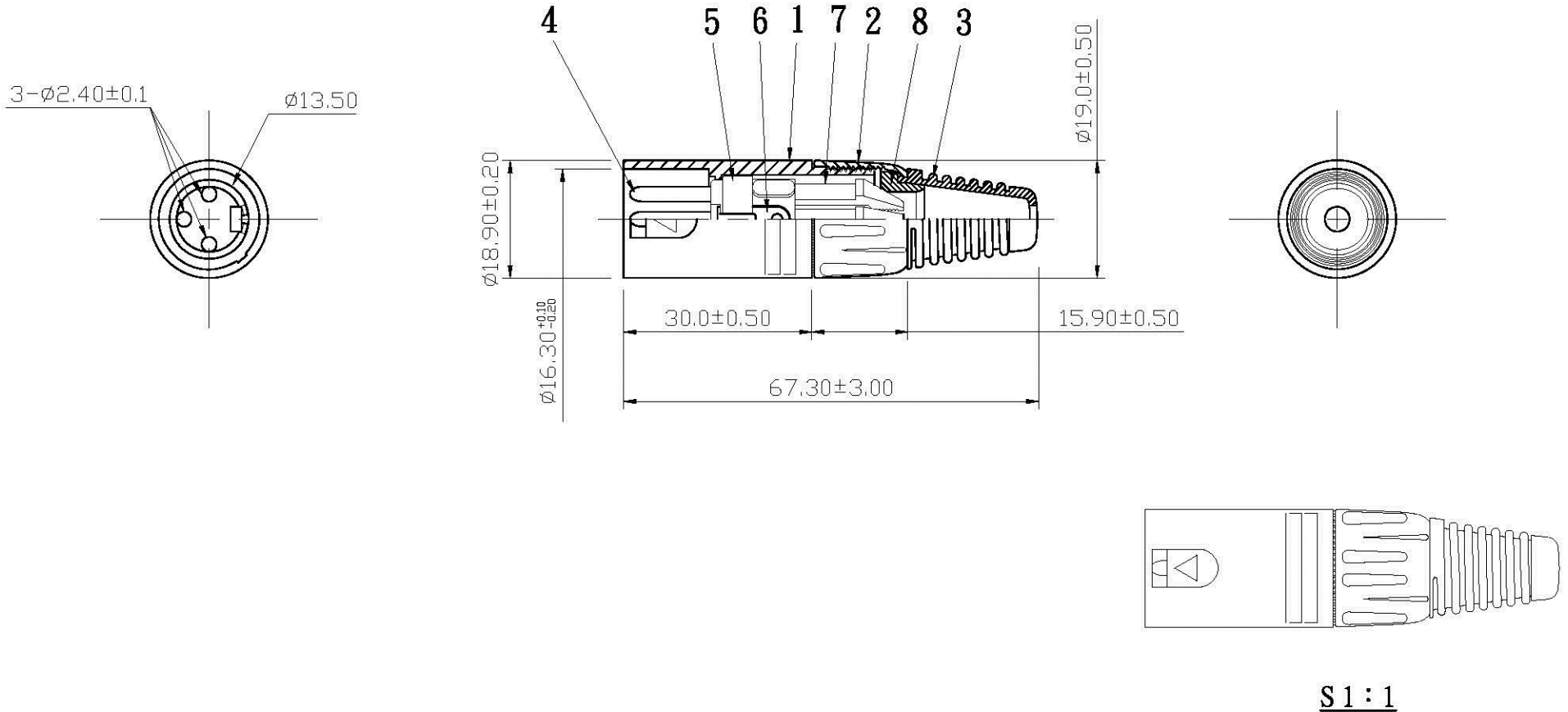


REMARK : RoHS REQUIREMENT APPLIED
(符合RoHS)



S 1 : 1

NO.	Description	Unit	Materials	Finish	Drawing No.	SCALE	1 : 1	UNIT	MM		
8	ring	1	FRP	black		DIMENSIONS ARE IN MILLIMETERS UNLESS OTHERWISE PECIFIED TOLERANCES (一般公差) 0.5~6 = ± 0.2 >6~30 = ± 0.4 >30~120 = ± 0.6 >120~315 = ± 1 >315~1000 = ± 1.6 ANGLES(角度) = $\pm 5'$					
7	clip	1	FRP	black							
6	solder tab	1	bronze	nickel							
5	body	1	PBT+30%fiber	black							
4	contact pin	3	brass	nickel							
3	sleeve	1	TPV	black							
2	shell	1	FRP	black							
1	shell	1	zinc alloy	nickel							
						APPROVED		Allconnectors www.allconnectors.de Tel.: 0049 711 709503 70794 Filderstadt - Germany info@allconnectors.de Fax: 0049 711 709504 Kettenerstr. 25			
						CHECKED				TITLE	MICROPHONE CONNECTOR
						DRAWN				DRAWING NO.	MI-103MN(ZA)BKPC-3N
						DATE				FILE NO.	DRAWING\FM\MI-103MN(ZA)BKPC-3N
						2008. 04. 08					