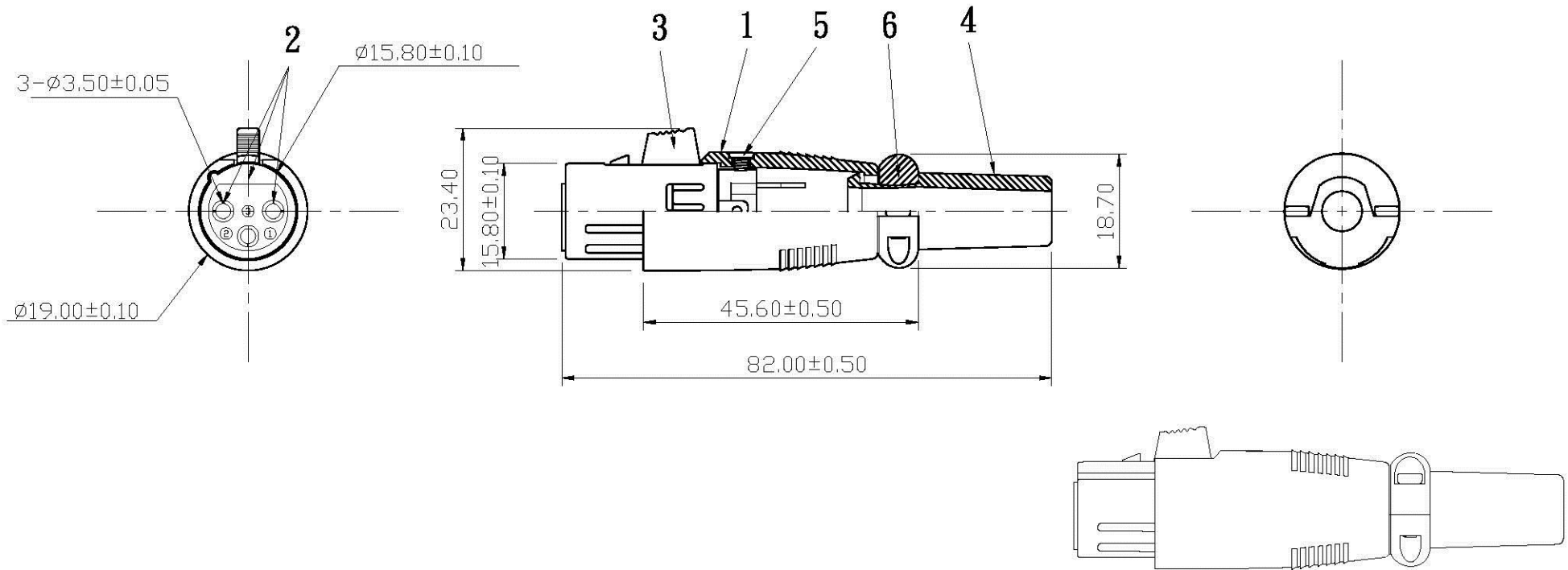


REMARK : RoHS REQUIREMENT APPLIED
(符合RoHS)



S1:1

NO.	Description	Unit	Materials	Finish	Drawing No.	SCALE	UNIT	MM	DATE	APPROVED	CHECKED	DRAWN	FILE NO.		
7						DIMENSIONS ARE IN MILLIMETERS UNLESS OTHERWISE PECIFIED TOLERANCES (一般公差) 0.5~6 = ± 0.1 >6~30 = ± 0.15 >30~120 = ± 0.2 >120~315 = ± 0.3 >315~1000 = ± 0.4 ANGLES(角度) = $\pm 3'$			2007. 11. 08	APPROVED					
6	screw	2	iron	nickel	SCREW-304N-M2.6XP0.45X10.0mm							CHECKED			
5	screw	1	iron	nickel	SCREW-305N-M2.6XP0.45X7.0mm										
4	housing	1	PVC	black											
3	button	1	zinc alloy	nickel											
2	contact	3	phosphor bronze	nickel											
1	body	1	zinc alloy	nickel											
											www.allconnectors.de Tel.: 0049 711 7009302 70794 Filderstadt Germany				
											info@allconnectors.de Fax: 0049 711 7009304 Kellerestr. 25				
											TITLE MICROPHONE CONNECTOR				
											DRAWING NO. MI-102FN(ZA)BKPC-3N(PB)				
											FILE NO. DRAWING/RF/MI/MI-102FN(ZA)BKPC-3N(PB)				