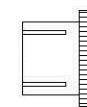
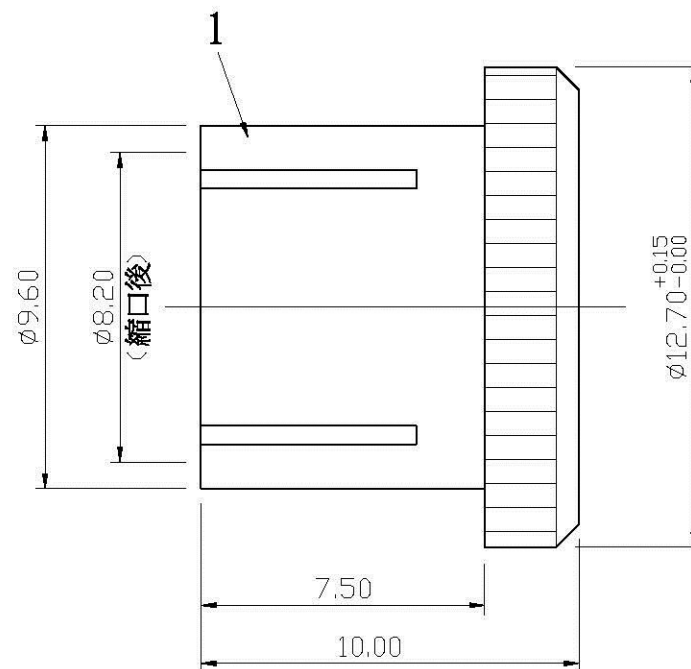
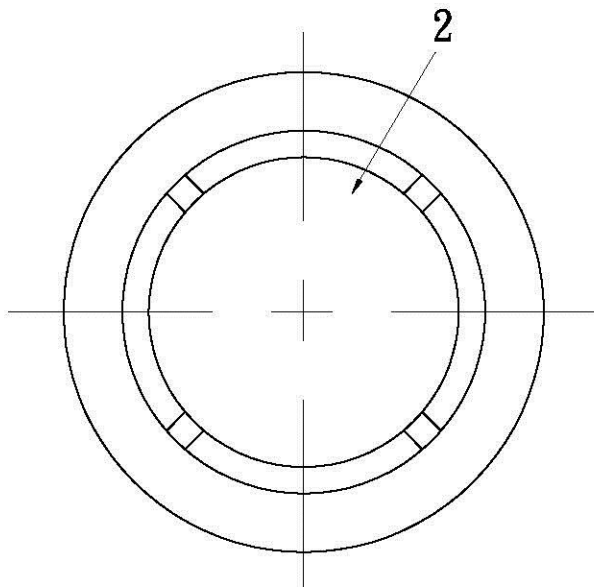



| No. | DATE | DESCRIPTION | REV |
|-----|--------------|-----------------------|-----|
| ▲ | 2011. 12. 08 | Design changes (設計變更) | A |

REMARK : RoHS REQUIREMENT APPLIED
(符合RoHS)



S 1 : 1

| | | | | | | | | |
|-----|-------------|------|-----------|--------|---------------------|--|---|--|
| 7 | | | | | | DIMENSIONS ARE IN MILLIMETERS UNLESS OTHERWISE PECIFIED TOLERANCES (一般公差) 0.5~6 = ±0.2 >6~30 = ±0.4 >30~120 = ±0.6 >120~315 = ±1 >315~1000 = ±1.6 ANGLES(角度) = ±5° | CHECKED |  <small>www.allconnectors.de Tel.: 0049 211 2009503 70704 Plocherstedt - Germany</small> <small>info@allconnectors.de Fax: 0049 211 2009504 Kettelerstr. 25</small> |
| 6 | | | | | DRAWN <i>Jim</i> | | | |
| 5 | | | | | | | DATE 2011. 12. 08 | |
| 4 | | | | | | | FILE NO. DRAWING\AUDIO\CAP\CAP-RJ-101G-TEF | |
| 3 | | | | | | | | |
| 2 | insulator | 1 | PTFE | white | | | | |
| 1 | body | 1 | brass | gold | | | | |
| NO. | Description | Unit | Materials | Finish | Drawing No. | SCALE 5 : 1 | UNIT | MM |