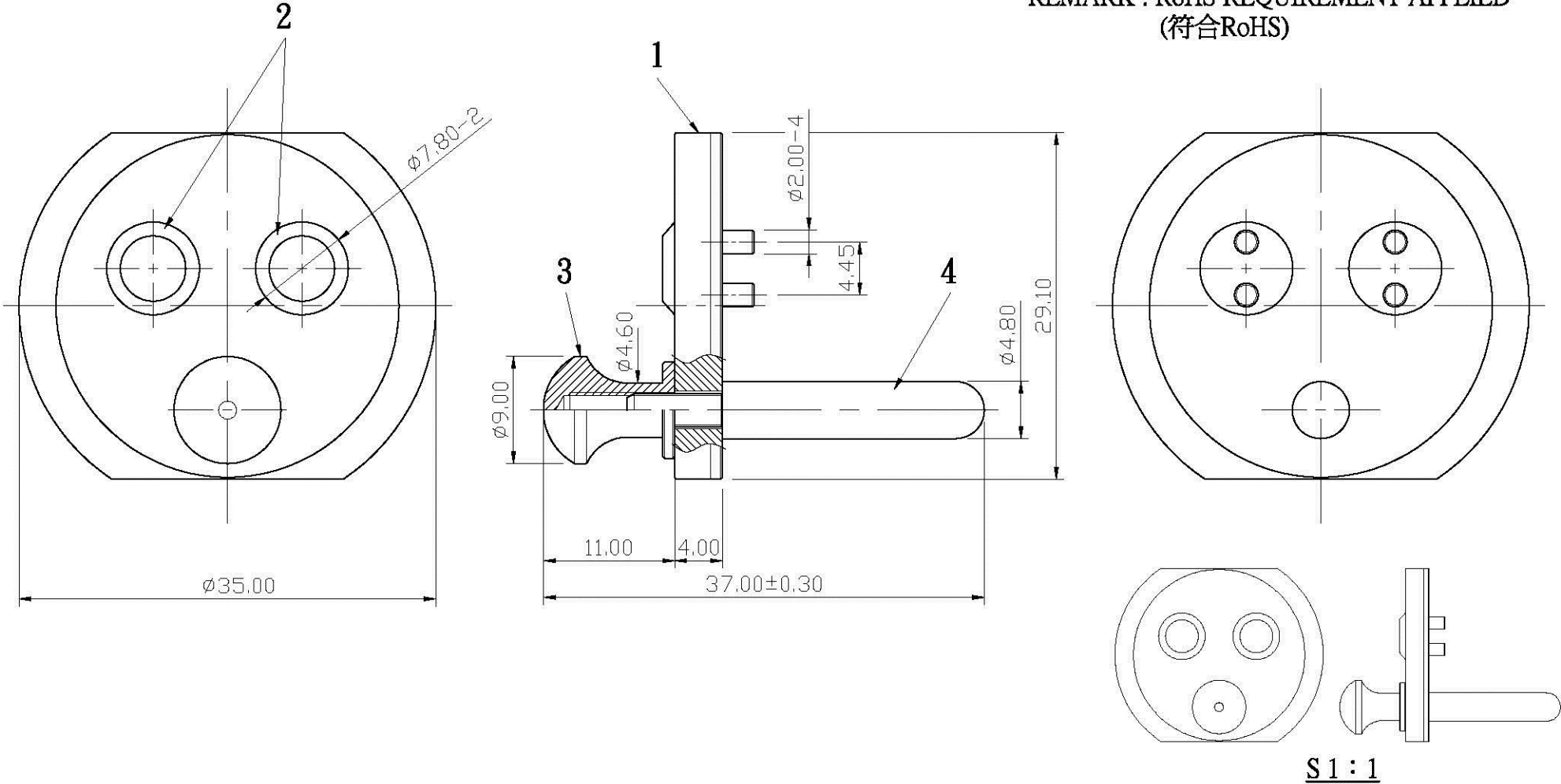


REMARK : RoHS REQUIREMENT APPLIED
(符合RoHS)



| NO. | Description | Unit | Materials | Finish | Drawing No. | SCALE | 2 : 1 | UNIT | MM | CHECKED | DATE | FILE NO. | | | | | | | |
|-----|-------------|------|-----------|------------------|-------------|--|-------|------|---|---------|--|----------|---|--|--|--|--|-------------|--------------|
| 7 | | | | | | DIMENSIONS ARE IN MILLIMETERS UNLESS OTHERWISE PECIFIED TOLERANCES (一般公差) 0.5-6 = ±0.2 >6-30 = ±0.4 >30-120 = ±0.6 >120-315 = ±1 >315-1000 = ±1.6 ANGLES(角度) = ±5° | | | www.allconnectors.de Tel.: 0049 711 7009502 70761 Hilberstadt - Germany | | info@allconnectors.de Fax: 0049 711 7009504 Kettnerstr. 25 | | Allconnectors TITLE CAP DRAWING NO. CAP-OC-101NG+P FILE NO. DRAWINGAUDIOCAPCAP-OC-101NG+P | | | | | | |
| 6 | | | | | | | | | | | | | | | | | | | |
| 5 | | | | | | | | | | | | | | | | | | | |
| 4 | contact pin | 1 | brass | nickel + topcoat | | | | | | | | | | | | | | DRAWN | 2012. 02. 01 |
| 3 | nut | 1 | brass | nickel + topcoat | | | | | | | | | | | | | | <i>Tina</i> | |
| 2 | cover | 2 | brass | nickel + topcoat | | | | | | | | | | | | | | | |
| 1 | body | 1 | brass | gold + topcoat | | | | | | | | | | | | | | | |