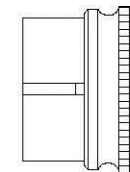
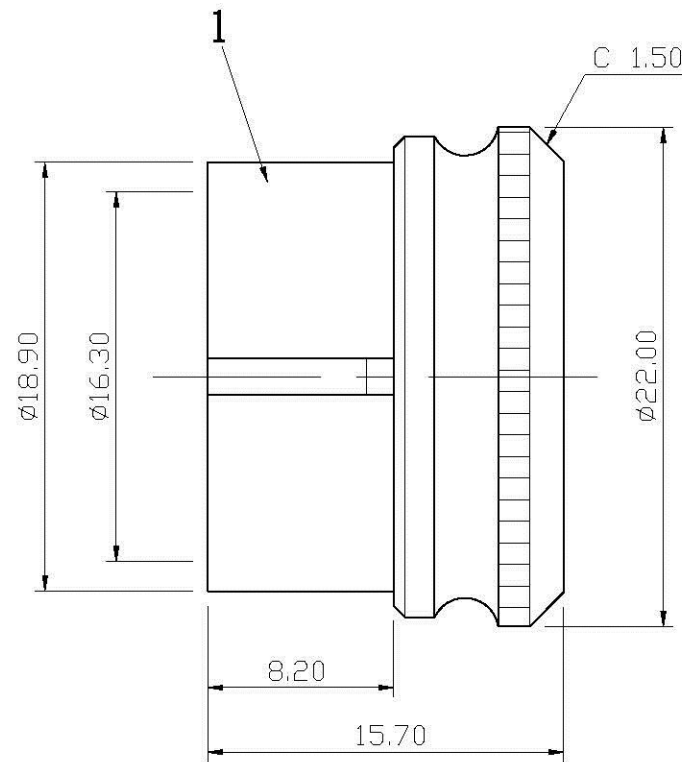
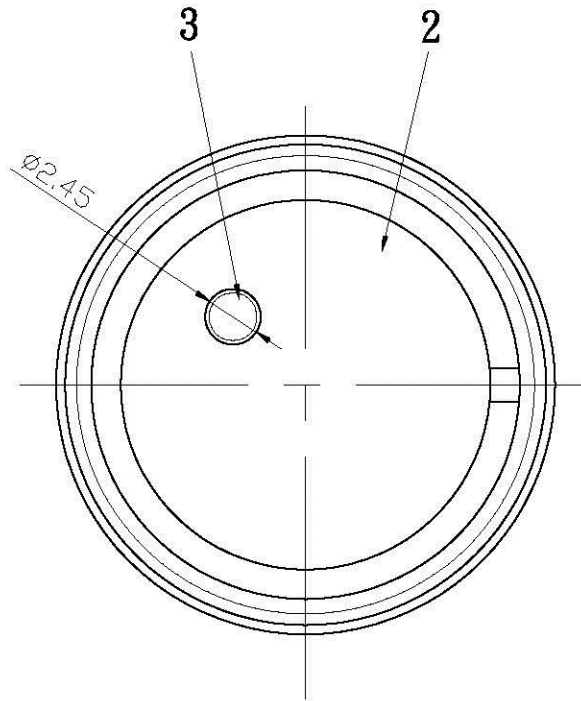



No.	DATE	DESCRIPTION	REV
▲	2012. 03. 19	Drawing to renew 圖面更新	A

REMARK : RoHS REQUIREMENT APPLIED
(符合RoHS)



S 1 : 1

7						DIMENSIONS ARE IN MILLIMETERS UNLESS OTHERWISE SPECIFIED TOLERANCES (一般公差) 0.5~6 = ±0.2 >6~30 = ±0.4 >30~120 = ±0.6 >120~315 = ±1 >315~1000 = ±1.6 ANGLES(角度) = ±5°	CHECKED	 www.allconnectors.de Tel.: 0049 711 709506 70794 Filderstadt Germany info@allconnectors.de Fax: 0049 711 709507 Kellernstr. 25	
6					DRAWN <i>Tina</i>				TITLE CAP
5							DATE 2012. 12. 21	DRAWING NO. CAP-MI-101G-TEF-M	
4							FILE NO. DRAWINGAUDIOCAPCAP-MI-101G-TEF-M		
3	contact pin	1	brass	gold					
2	insulator	1	PTFE	white					
1	body	1	brass	gold					
NO.	Description	Unit	Materials	Finish	Drawing No.	SCALE	3 : 1	UNIT	MM