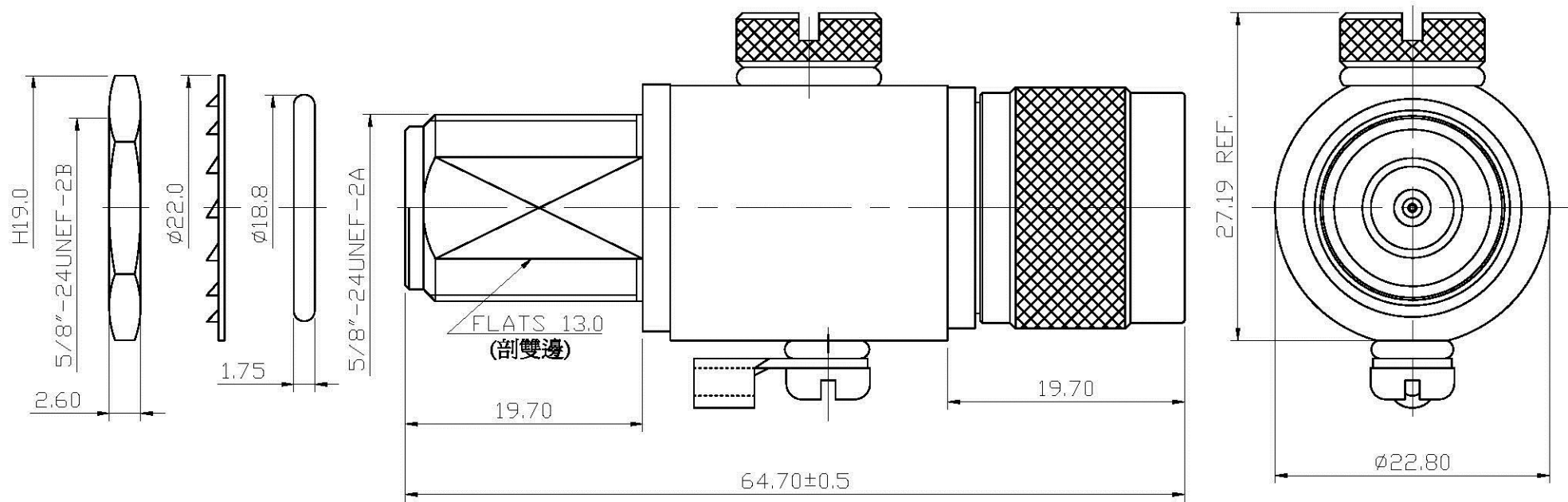


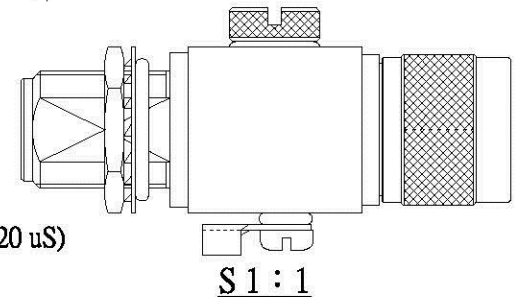
No.	DATE	DESCRIPTION	REV	REMARK : RoHS REQUIREMENT APPLIED (符合RoHS)	DATE	DRAWING NO.
-----	------	-------------	-----	---	------	-------------



21	screw	1	iron	nickel	OT09IR001A
20	r ring	1	copper	tin	OT07BR020A
19	washer	1	sus 304	none	OT07SS021A
18	shell	1	brass	nickel	NS05BR003A
17	gasket	1	silicone	red	OT12SL022A
16	body d	1	brass	nickel	NS01BR011A
15	washer	1	brass	none	OT07BR022A
14	contact pin b	1	brass	gold	LP03BR002A
13	body c	1	brass	nickel	LP01BR002A
12	gas tube	1	n/a	n/a	OT99OO001A
11	gasket	1	silicone	red	OT12SL019A
10	spring	1	sus 304	none	LP06SS001A
9	nut	1	brass	nickel	OT08BR016A
8	body b	1	brass	nickel	LP01BR003A
7	gasket	2	silicone	red	OT12SL020A
6	contact pin a	1	brass	gold	LP03BR001A
5	insulator	2	PTFE	none	LP02TF001A
4	body a	1	brass	nickel	LP01BR001A
3	gasket	1	silicone	black	OT12SL021A
2	washer	1	brass	nickel	OT07BR020A
1	nut	1	brass	nickel	OT08BR015A
NO.	Description	Unit	Materials	Finish	Drawing No.

NOTE:

- 1.Impedance:50Ω
- 2.Frequency Range : DC~6 GHz
- 3.V.S.W.R. : ≤ 1.35
- 4.Gas Tube DC Spark Over Voltage : 230V
- 5.Gas Tube Impluse Discharge Current (Wave 8/20 uS)  
10 Times (5 Times Each Polarity) : 20KA



DIMENSIONS ARE IN MILLIMETERS	CHECKED	 www.allconnectors.de Tel.: 0049 711 7009503 70794 Filderstadt - Germany
	UNLESS OTHERWISE SPECIFIED TOLERANCES (一般公差) 0.5-6 = ±0.2 >6-30 = ±0.4 >30-120 = ±0.6 >120-315 = ±1 >315-1000 = ±1.6 ANGLES(角度) = ±5°	
SCALE   2 : 1   UNIT   MM	DRAWN <i>Chad</i>	TITLE N JACK TO N PLUG STRAIGHT LIGHTNING PROTECTOR
	DATE 2013. 10. 11	DRAWING NO. LP-1001S-NS25TA-NS15TA
		FILE NO. DRAWINGR\FALP\LP-1001S-NS25TA-NS15TA