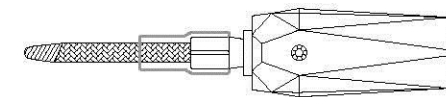
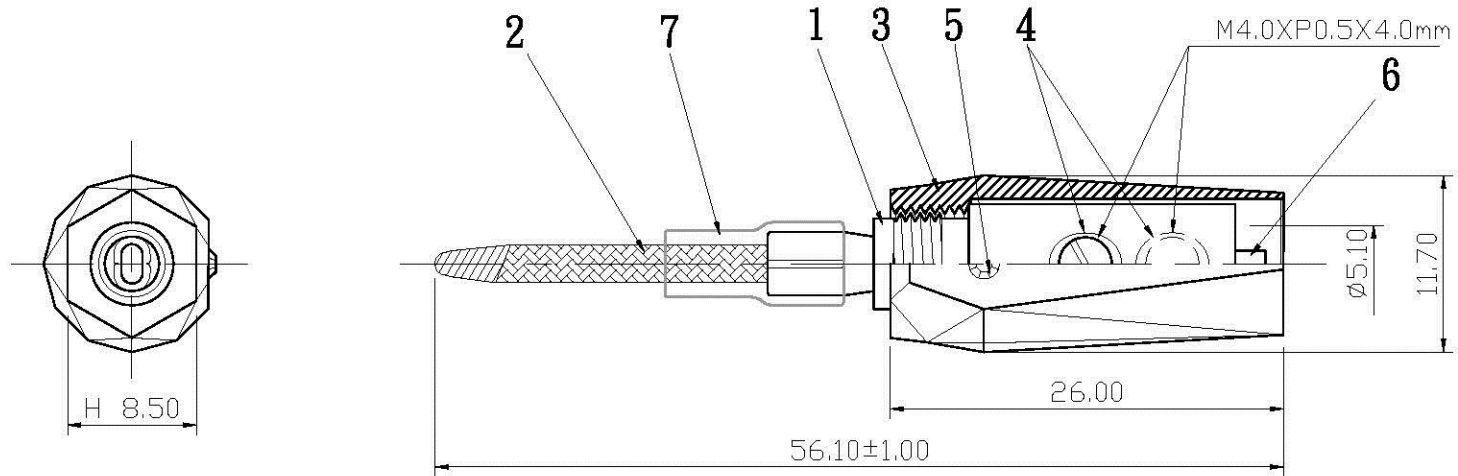



REMARK : RoHS REQUIREMENT APPLIED
(符合RoHS)



S 1 : 1

7	sleeve	1	pvc	transparent		DIMENSIONS ARE IN MILLIMETERS UNLESS OTHERWISE PECIFIED TOLERANCES (一般公差) 0.5~6 = ±0.2 >6~30 = ±0.4 >30~120 = ±0.6 >120~315 = ±1 >315~1000 = ±1.6 ANGLES(角度) = ±5°	CHECKED DRAWN <i>Wing</i> DATE 2009. 05. 25	 www.allconnectors.de Tel.: 0049 711 2009502 70734 Hilderstul, Germany info@allconnectors.de Fax: 0049 711 2009504 Kallmehrsstr. 25	
6	sleeve	1	pvc	transparent					
5	swarovski	1	crystal	white					
4	screw	2	brass	gold	SCREW-104G-M4XP0.5X4.0mm				
3	shell	1	brass	satın silver					
2	flexeble pin	1	oxygen free copper	gold					
1	body	1	brass	gold			TITLE FLEXPIN DRAWING NO. FP-401SSG-5.1 FILE NO. DRAWINGAUDIOFPFP-401SSG-5.1		
NO.	Description	Unit	Materials	Finish	Drawing No.	SCALE	2 : 1	UNIT	MM