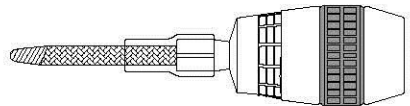
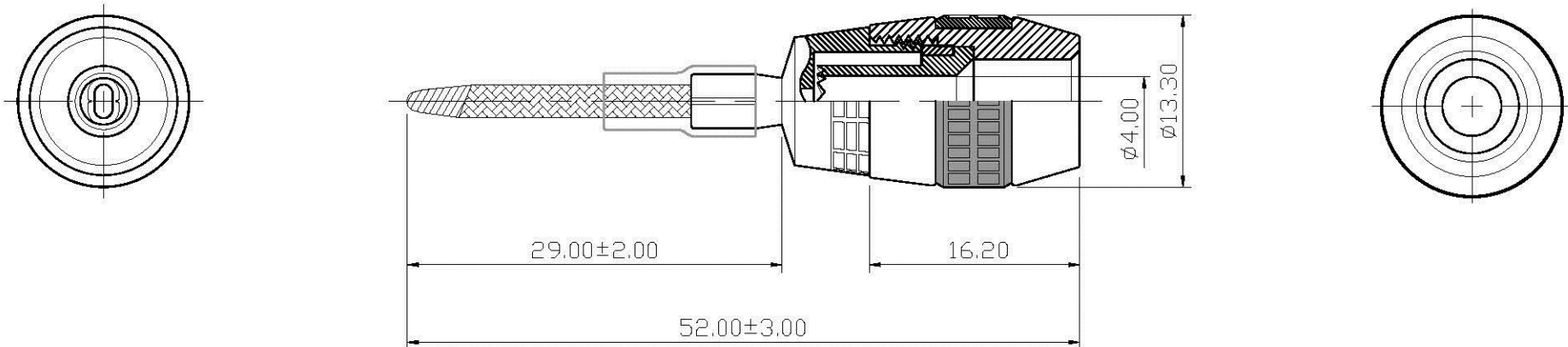



REMARK : RoHS REQUIREMENT APPLIED  
(符合RoHS)



S 1 : 1

7	ring	1	brass	gold		DIMENSIONS ARE IN MILLIMETERS  UNLESS OTHERWISE PECIFIED TOLERANCES (一般公差) 0.5-6 = ±0.2 >6-30 = ±0.4 >30-120 = ±0.6 >120-315 = ±1 >315-1000 = ±1.6 ANGLES(角度) = ±5°	APPROVED	 www.allconnectors.com/de info@allconnectors.com/de Tel: 0049 411 409500 Fax: 0049 411 409501 70/54 Hilderstraße - Germany	
6	body	1	brass	gold			CHECKED		TITLE
5	color ring	1	rubber	black/red			DRAWN		FLEXPIN
4	sleeve	1	PVC	transparent			<b>Otis</b>	DRAWING NO.	
3	shell	1	brass	matte black coated			DATE	FP-101MBCG-BK/RD-4.0	
2	flexible pin	1	oxygen free copper	gold			2008. 03. 20	FILE NO. DRAWINGAUDIOVFPFP-101MBCG-BK/RD-4.0	
1	body	1	brass	gold					
NO.	Description	Unit	Materials	Finish	Drawing No.	SCALE	2 : 1	UNIT	MM