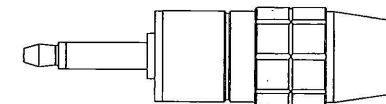
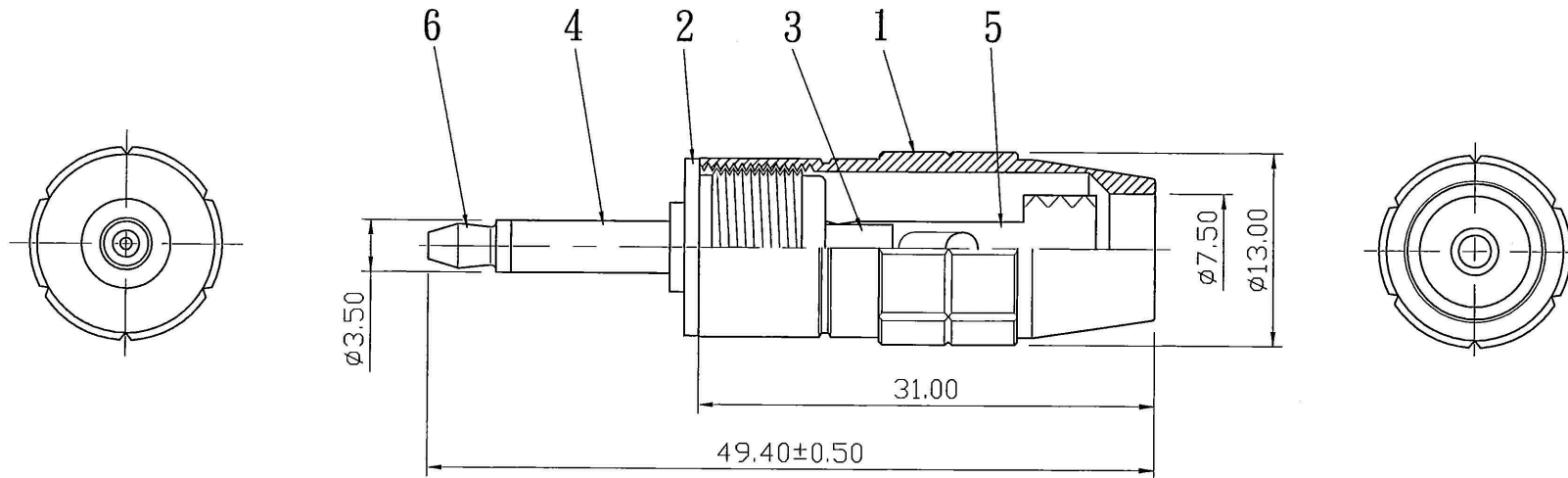


REMARK : RoHS REQUIREMENT APPLIED
(符合RoHS)



S1:1



NO.	Description	Unit	Materials	Finish	Drawing No.	SCALE	2 : 1	UNIT	MM	CHECKED	DATE	TITLE	DRAWING NO.	FILE NO.
7						DIMENSIONS ARE IN MILLIMETERS			CHECKED 郭姿良		Allconnectors			
6	contact pin	1	brass	gold		UNLESS OTHERWISE PECIFIED TOLERANCES (一般公差)			2010-5-24		www.allconnectors.de Tel.: 0049 711 7009503 70794 Filderstadt - Germany			
5	clip	1	brass	gold		0.5~6 = ±0.2			DRAWN		info@allconnectors.de Fax: 0049 711 7009504 Kettenerstr. 25			
4	insulator	1	PTFE	white		>6~30 = ±0.4			Jim		FIBER OPTIC PLUG			
3	contact pin	1	brass	gold		>30~120 = ±0.6			DATE		FOP-302BPG-TEF-7.5			
2	body	1	brass	gold		>120~315 = ±1			2010. 04. 20		DRAWING/AUDIO/FOP/FOP-302BPG-TEF-7.5			
1	shell	1	brass	black E-coating		>315~1000 = ±1.6								
						ANGLES(角度) = ±5°								