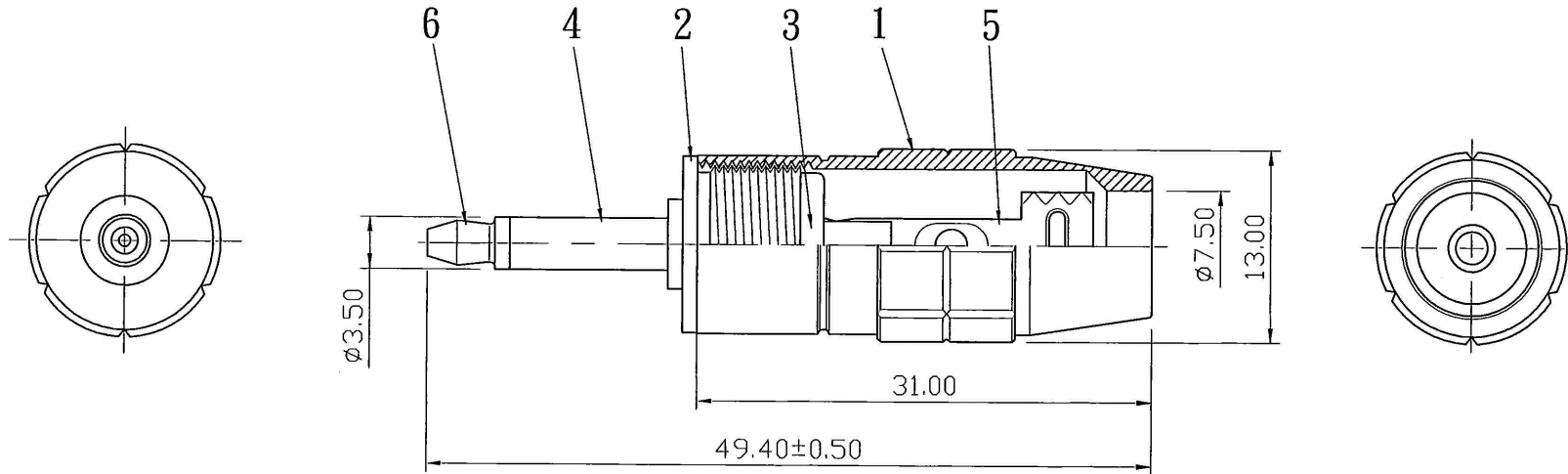
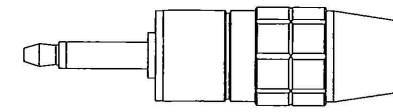


REMARK : RoHS REQUIREMENT APPLIED
(符合RoHS)



圖面
2014-5-8
發行章



S1:1

NO.	Description	Unit	Materials	Finish	Drawing No.	SCALE	2 : 1	UNIT	MM	DATE	2008. 12. 12	FILE NO.	DRAWINGAUDIOFOPFOP-301SSG-TEF-7.5		
7						DIMENSIONS ARE IN MILLIMETERS UNLESS OTHERWISE PECIFIED TOLERANCES (一般公差) 0.5~6 = ±0.2 >6~30 = ±0.4 >30~120 = ±0.6 >120~315 = ±1 >315~1000 = ±1.6 ANGLES(角度) = ±5°			CHECKED 馬止成 MAY 8 2014		All Connectors www.allconnectors.de info@allconnectors.de Tel.: 0049 711 7009503 Fax: 0049 711 7009504 70794 Filderstadt - Germany Kettenerstr. 25				
6	contact pin	1	brass	gold					DRAWN		TITLE			FIBER OPTIC PLUG	
5	clip	1	brass	gold					Jim		DRAWING NO.			FOP-301SSG-TEF-7.5	
4	insulator	1	PTFE	white							FILE NO.				
3	contact pin	1	brass	gold											
2	body	1	brass	gold											
1	shell	1	brass	stain silver											