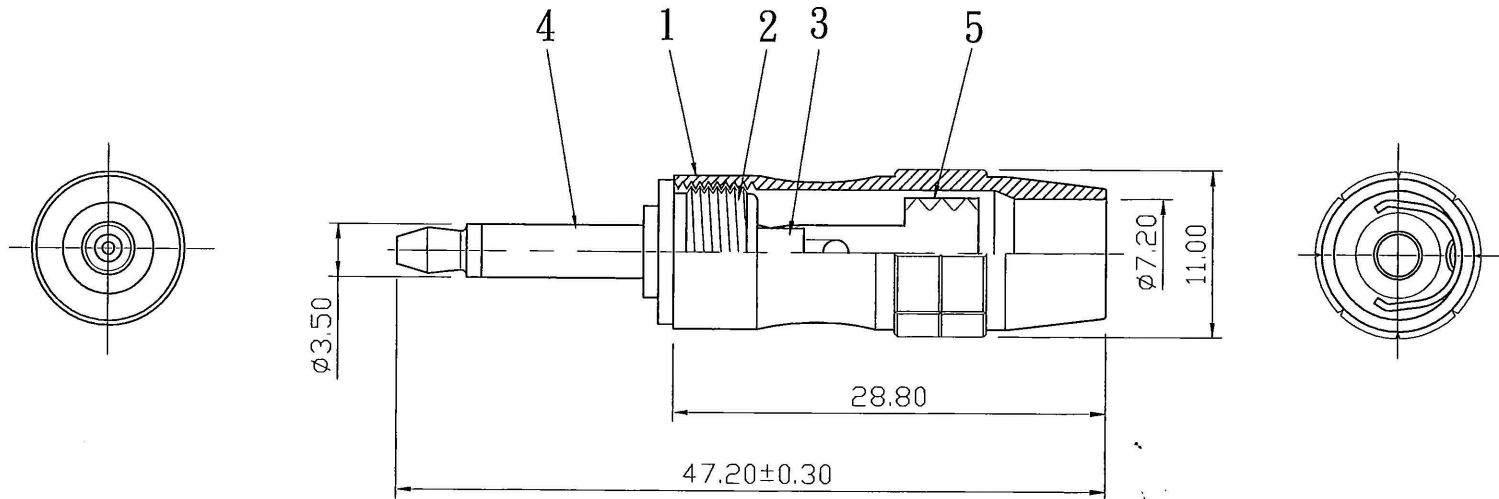
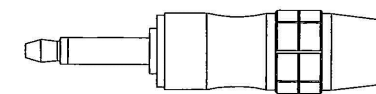


REMARK : RoHS REQUIREMENT APPLIED
(符合RoHS)



圖面
2014-5-8
發行章



S1:1

NO.	Description	Unit	Materials	Finish	Drawing No.	SCALE	2 : 1	UNIT	MM	CHECKED	DATE	FILE NO.
7						DIMENSIONS ARE IN MILLIMETERS			CHECKED		 www.allconnectors.de info@allconnectors.de Tel.: 0049 711 7009503 Fax: 0049 711 7009504 70794 Filderstadt - Germany Kettnerstr. 25	
6						UNLESS OTHERWISE SPECIFIED TOLERANCES (一般公差)						
5	clip	1	brass	gold		0.5-6 = ±0.2			DRAWN			
4	insulator	1	PTFE	white		>6-30 = ±0.4			<i>Jim</i>	TITLE		FIBER OPTIC PLUG
3	contact pin	1	brass	gold		>30-120 = ±0.6				DRAWING NO.		FOP-203NG-TEF-7.2
2	body	1	brass	gold		>120-315 = ±1				FILE NO.		DRAWING\AUDIO\FOP\FOP-203NG-TEF-7.2
1	shell	1	brass	nickel		>315-1000 = ±1.6						
						ANGLES(角度) = ±5°						