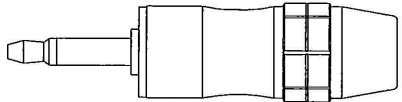
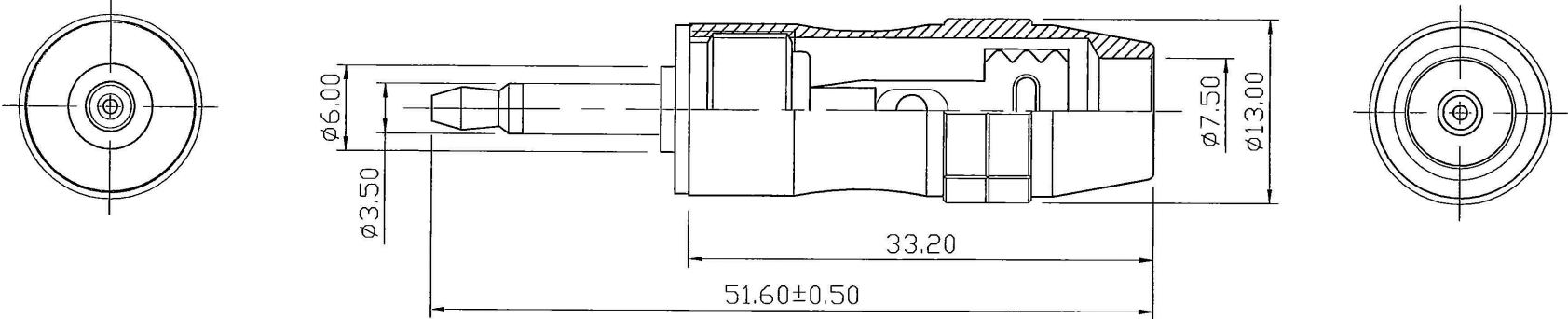


REMARK : RoHS REQUIREMENT APPLIED
(符合RoHS)



S 1 : 1

NO.	Description	Unit	Materials	Finish	Drawing No.	SCALE	2 : 1	UNIT	MM	CHECKED	DATE	TITLE	DRAWING NO.	FILE NO.		
-						DIMENSIONS ARE IN MILLIMETERS						 www.allconnectors.de info@allconnectors.de Tel.: 0049 711 7009503 Fax: 0049 711 7009504 70794 Filderstadt - Germany Kettnerstr. 25	FIBER OPTIC PLUG	FOP-202SSG-TEF-7.5	DRAWING NO. FOP-202SSG-TEF-7.5	FILE NO. DRAWINGAUDIOFOP\FOP-202SSG-TEF-7.5
-					UNLESS OTHERWISE PECIFIED TOLERANCES (一般公差)											
-	clip	1	brass	gold												
-	insulator	1	PTFE	white												
-	shell	1	brass	satn silver												
-	contact pin	1	brass	gold												
-	body	1	brass	gold												



DRAWN Jim

DATE 2014. 05. 07