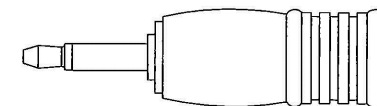
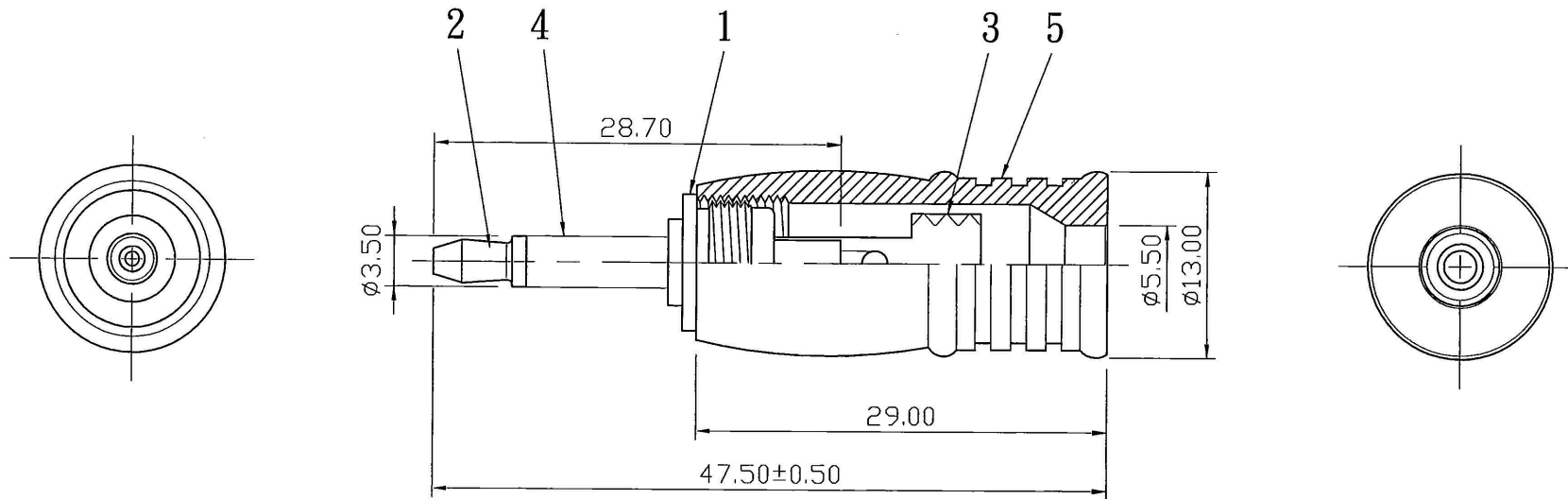




REMARK : RoHS REQUIREMENT APPLIED
(符合RoHS)



S1:1

NO.	Description	Unit	Materials	Finish	Drawing No.	SCALE	UNIT	MM
7						DIMENSIONS ARE IN MILLIMETERS UNLESS OTHERWISE PECIFIED TOLERANCES (一般公差) 0.5-6 = ±0.2 >6-30 = ±0.4 >30-120 = ±0.6 >120-315 = ±1 >315-1000 = ±1.6 ANGLES(角度) = ±5°		
6								
5	shell	1	brass	satin silver				
4	insulator	1	PTFE	white				
3	clip	1	brass	gold				
2	contact pin	1	brass	gold				
1	body	1	brass	gold				
						CHECKED  2013.11.15 許智華		
						DRAWN Jim		
						DATE 2013.11.14		
						 www.allconnectors.de Tel.: 0049 711 7009503 70794 Filderstadt - Germany info@allconnectors.de Fax: 0049 711 7009504 Kettnerstr. 25		
						TITLE FIBER OPTIC PLUG		
						DRAWING NO. FOP-201SSG-TEF-5.5		
						FILE NO. DRAWING\AUDIO\FOP\FOP-201SSG-TEF-5.5		