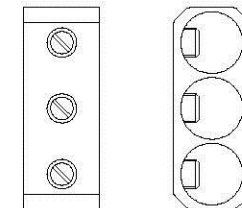
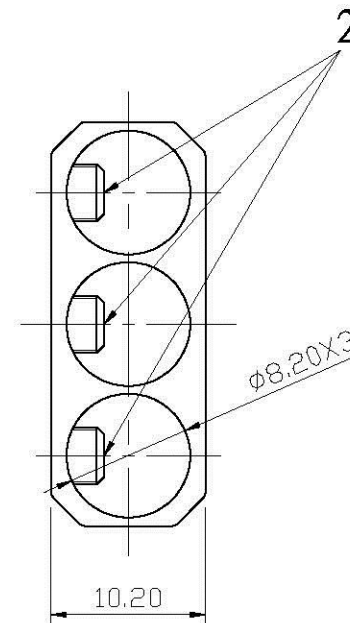
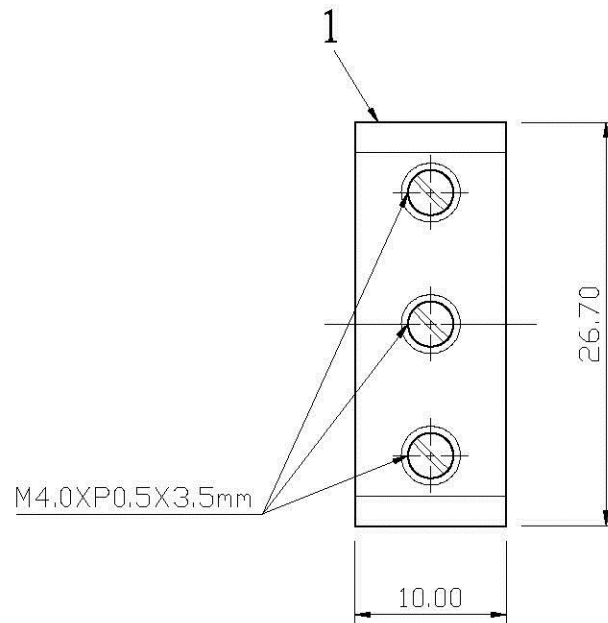



REMARK : RoHS REQUIREMENT APPLIED  
(符合RoHS)



S 1 : 1

7						DIMENSIONS ARE IN MILLIMETERS  UNLESS OTHERWISE PECIFIED TOLERANCES (一般公差) 0.5~6 = ±0.2 >6~30 = ±0.4 >30~120 = ±0.6 >120~315 = ±1 >315~1000 = ±1.6 ANGLES(角度) = ±5°	CHECKED	 www.allconnectors.de TEL: 0049 711 7095003 70724 Filderstadt - Germany info@allconnectors.de Fax: 0049 711 7095004 Kettnerstr. 25	
6					DRAWN <i>Jim</i>				TITLE CABLE STOPPER
5							DATE 2011.10.20	DRAWING NO. CS-304N-CH8.2X3	
4							FILE NO. DRAWING\AUDIO\CS\CS-304N-CH8.2X3		
3									
2	screw	3	brass	nickel	SCREWB-104N-M4.0XP0.5X3.5mm				
1	body	1	brass	nickel					
NO.	Description	Unit	Materials	Finish	Drawing No.	SCALE	2 : 1	UNIT	MM