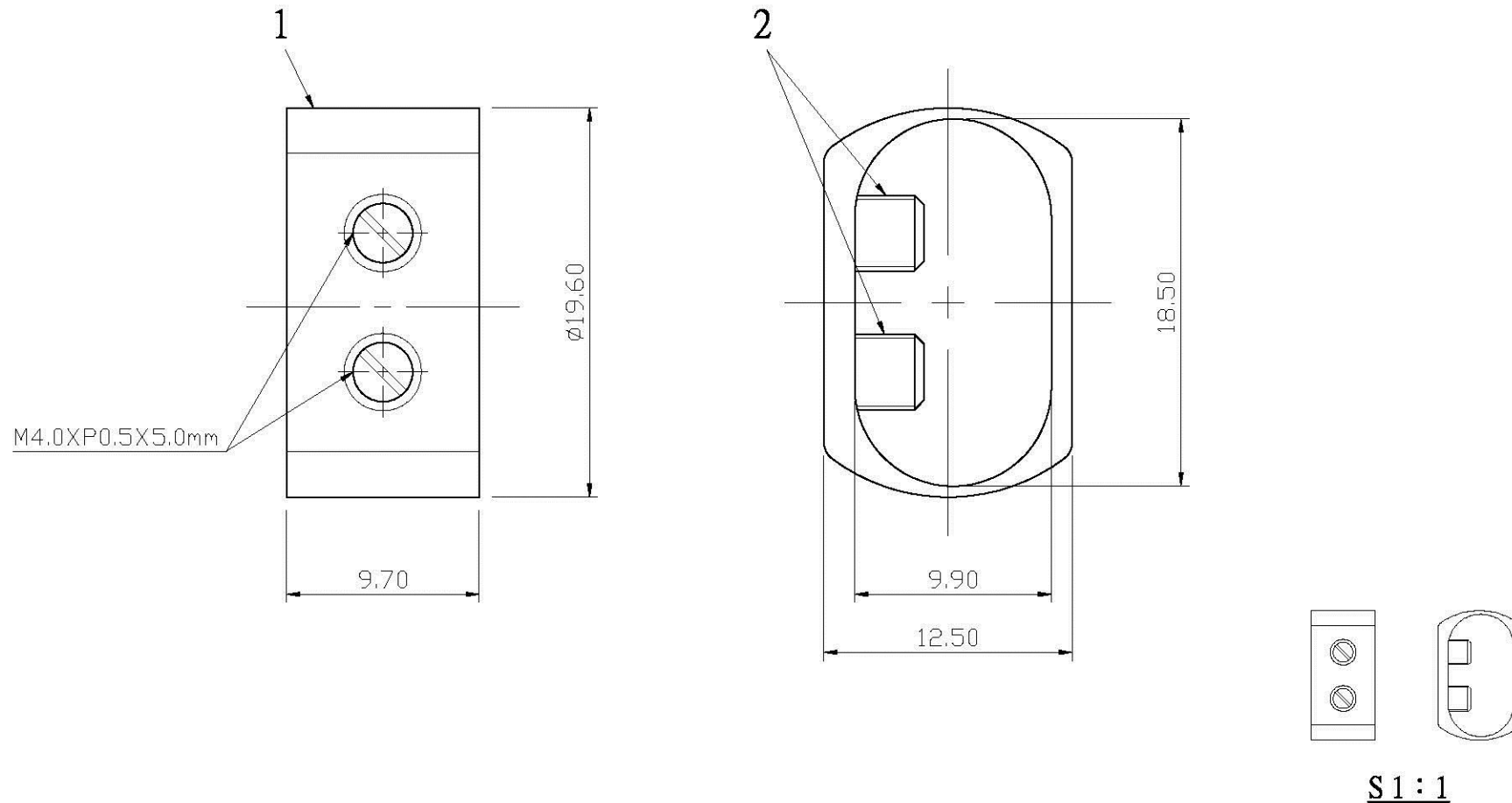



REMARK : RoHS REQUIREMENT APPLIED
(符合RoHS)



7						DIMENSIONS ARE IN MILLIMETERS UNLESS OTHERWISE PECIFIED TOLERANCES (一般公差) 0.5~6 = ± 0.2 >6~30 = ± 0.4 >30~120 = ± 0.6 >120~315 = ± 1 >315~1000 = ± 1.6 ANGLES(角度) = $\pm 5^\circ$	CHECKED	 www.allconnectors.de info@allconnectors.de Tel.: 0049 711 7009508 Fax: 0049 711 7009504 70754 Filderstadt - Germany Kellernersstr. 25	
6					DRAWN <i>Jim</i>				TITLE CABLE STOPPER
5							DATE 2011. 10. 20	DRAWING NO. CS-302N-CH9.9	
4							FILE NO. DRAWING\AUDIO\CS\CS-302N-CH9.9		
3									
2	screw	2	brass	nickel	SCREWB-104N-M4.0XP0.5X5.0mm				
1	body	1	brass	nickel					
NO.	Description	Unit	Materials	Finish	Drawing No.	SCALE	3 : 1	UNIT	MM