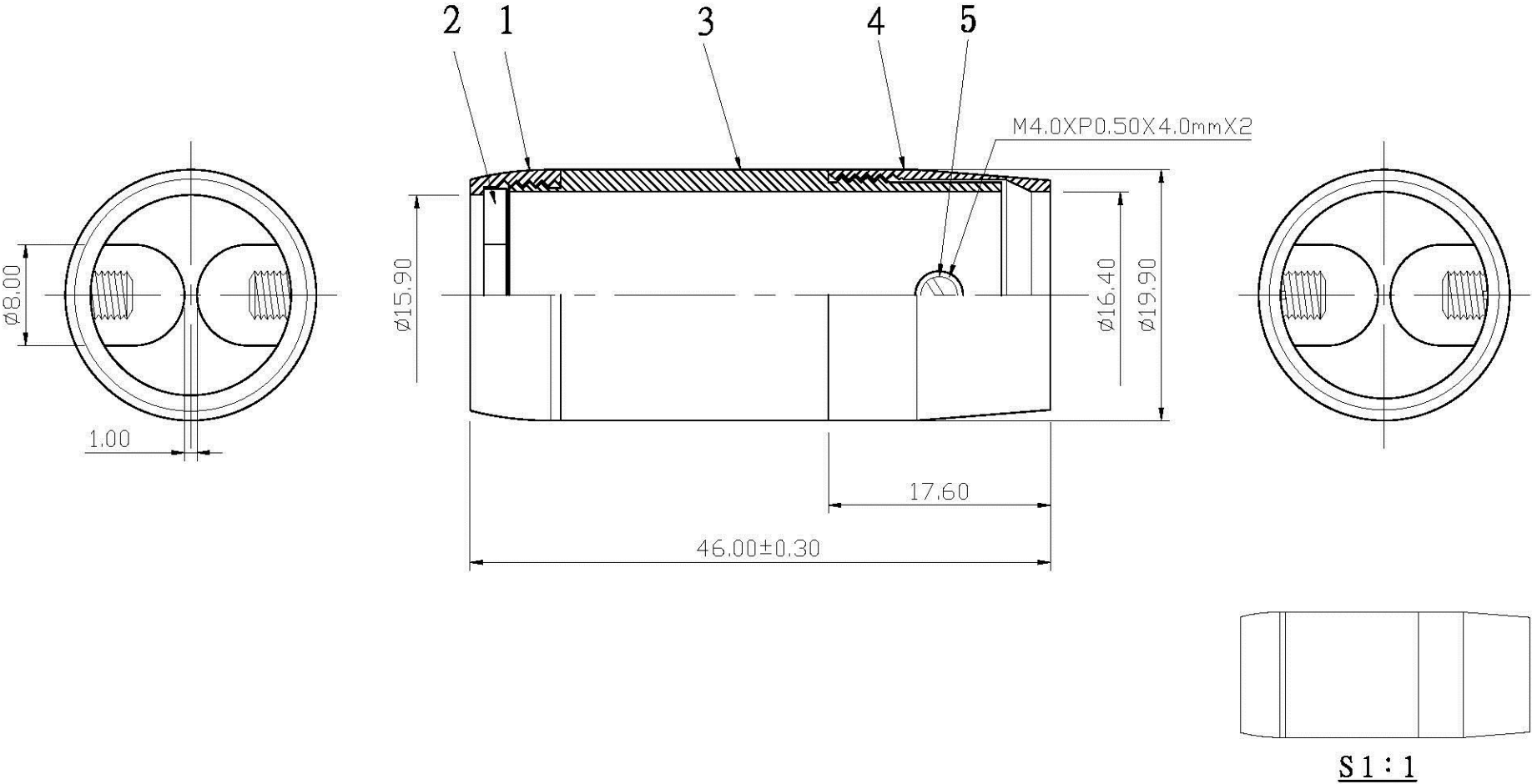



REMARK : RoHS REQUIREMENT APPLIED
(符合RoHS)



| | | | | | | | | | |
|-----|-------------|------|-----------|--------------|---------------------------------|--|--------------|--|---------------|
| 7 | | | | | | DIMENSIONS ARE IN MILLIMETERS UNLESS OTHERWISE PECIFIED TOLERANCES (一般公差) 0.5~6 = ±0.2 >6~30 = ±0.4 >30~120 = ±0.6 >120~315 = ±1 >315~1000 = ±1.6 ANGLES(角度) = ±5° | APPROVED |  www.allconnectors.de Tel.: 0049 711 7009503 70794 Filderstadt - Germany info@allconnectors.de Fax: 0049 711 7009504 Kettnerstr. 25 | |
| 6 | | | | | CHECKED | | TITLE | | |
| 5 | screw | 2 | brass | gold | SCREW-105G-M4XP0.5X4.0mm(φ 3.8) | | DRAWN | | CABLE STOPPER |
| 4 | headlock | 1 | brass | gold | | | <i>Lala</i> | DRAWING NO. | |
| 3 | shell | 1 | brass | stain silver | | | DATE | CS-209SSG-FH8.0X2-CH16.4 | |
| 2 | washer | 1 | brass | gold | | | 2008. 10. 15 | FILE NO. DRAWING\AUDIO\CS\CS-209SSG-FH8.0X2-CH16.4 | |
| 1 | headlock | 1 | brass | gold | | | | | |
| NO. | Description | Unit | Materials | Finish | Drawing No. | SCALE | 2 : 1 | UNIT | MM |