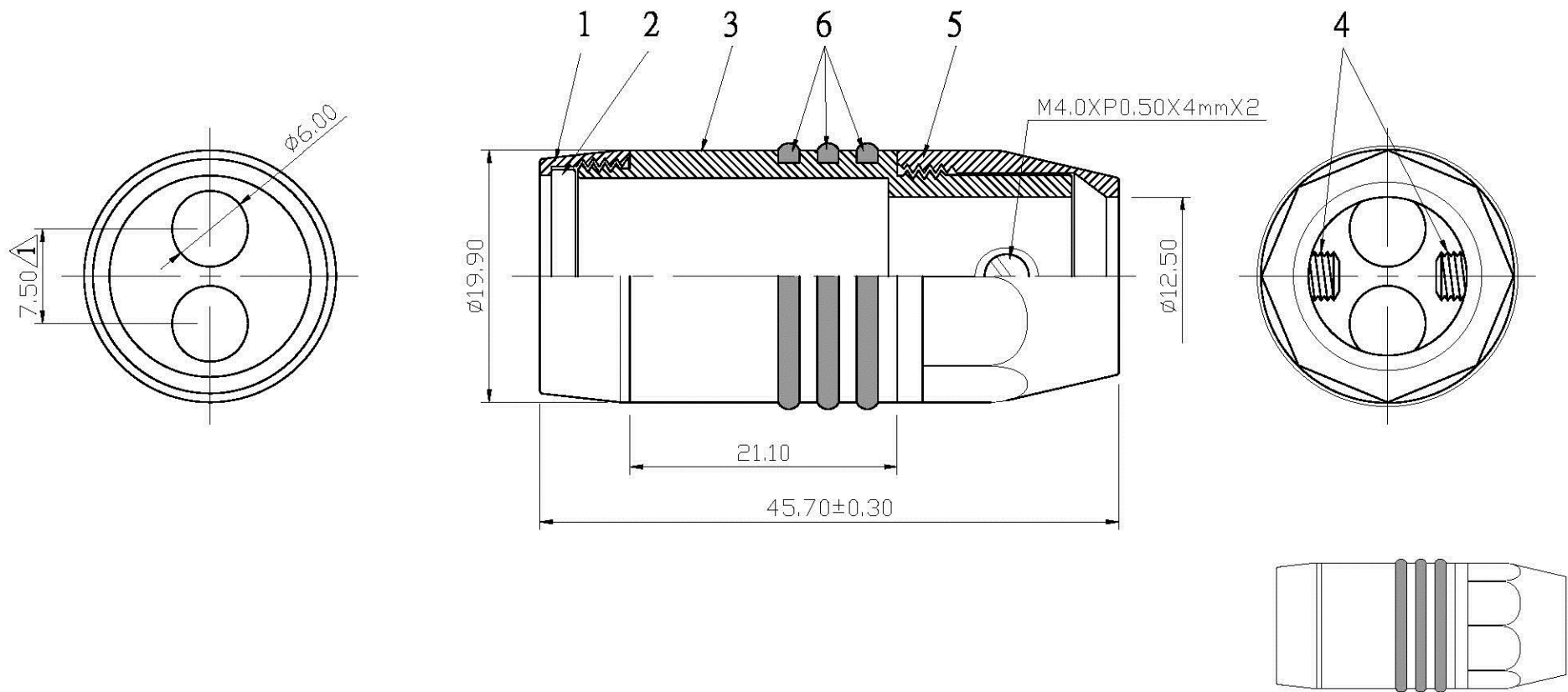


No.	DATE	DESCRIPTION	REV
△	2009. 06. 23	Original dimation 9.00	A



S 1 : 1

7						DIMENSIONS ARE IN MILLIMETERS UNLESS OTHERWISE PECIFIED TOLERANCES (一般公差) 0.5-6 = ±0.2 >6-30 = ±0.4 >30-120 = ±0.6 >120-315 = ±1 >315-1000 = ±1.6 ANGLES(角度) = ±5°	APPROVED	 www.allconnectors.de Tel.: 0049 711 7009503 70794 Filderstadt - Germany info@allconnectors.de Fax: 0049 711 7009504 Kellernerstr. 25	
6	color ring	3	rubber	red/black			CHECKED		TITLE
5	headlock	1	brass	stain chrome+topcoat					CABLE STOPPER
4	screw	2	brass	gold	SCREW-104G-M4XP0.5X4.0mm		DRAWN	DRAWING NO.	
3	body	1	brass	stain chrome+topcoat			<i>Lala</i>	CS-203SCG+P-FH6.0X2-CH12.5-BK/RD	
2	washer	1	brass	gold			DATE	FILE NO.	
1	body	1	brass	gold		2007. 11. 16	DRAWING/AUDIO/CS/CS-203SCG+P-FH6.0X2-CH12.5-BK/RD		
NO.	Description	Unit	Materials	Finish	Drawing No.	SCALE	UNIT	MM	