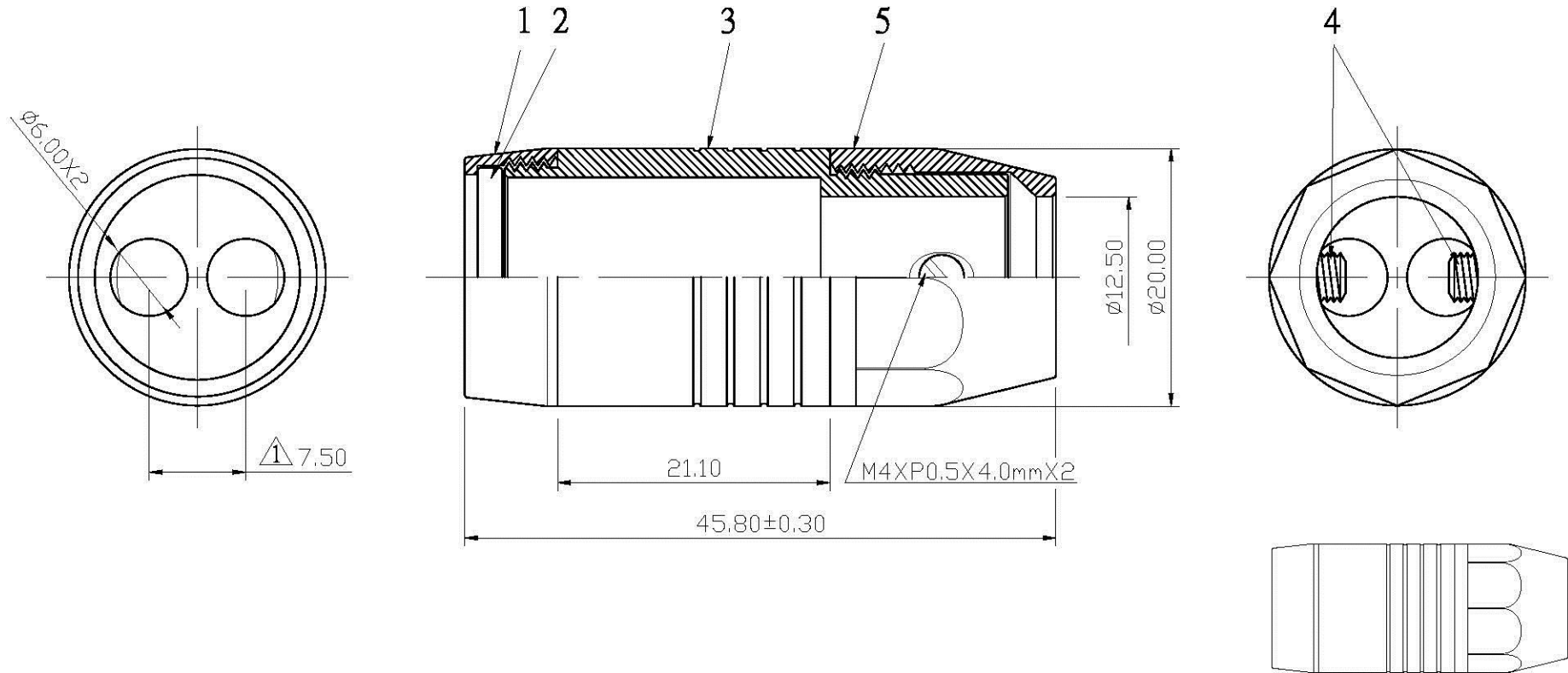



No.	DATE	DESCRIPTION	REV
△	2009. 02. 25	Original dimation 9.00	A



S1:1

7						DIMENSIONS ARE IN MILLIMETERS UNLESS OTHERWISE PECIFIED TOLERANCES (一般公差) 0.5-6 = ±0.2 >6-30 = ±0.4 >30-120 = ±0.6 >120-315 = ±1 >315-1000 = ±1.6 ANGLES(角度) = ±5°	APPROVED	 www.allconnectors.de TEL: 0049 711 7009503 70794 Filderstadt - Germany info@allconnectors.de Fax: 0049 711 7009504 Kettenerstr. 25			
6					CHECKED		TITLE				
5	headlock	1	brass	stain chrome+topcoat			CABLE STOPPER				
4	screw	2	brass	gold	SCREW-104G-M4XP0.5X4.0mm		DRAWING NO.				
3	body	1	brass	stain chrome+topcoat			CS-201SCG+P-FH6.0X2-CH12.5				
2	washer	1	brass	gold			FILE NO. DRAWINGAUDIO\CS\CS-201SCG+P-FH6.0X2-CH12.5				
1	headlock	1	brass	gold		DATE					
NO.	Description	Unit	Materials	Finish	Drawing No.	SCALE	2 : 1	UNIT	MM	DATE	2008. 01. 15