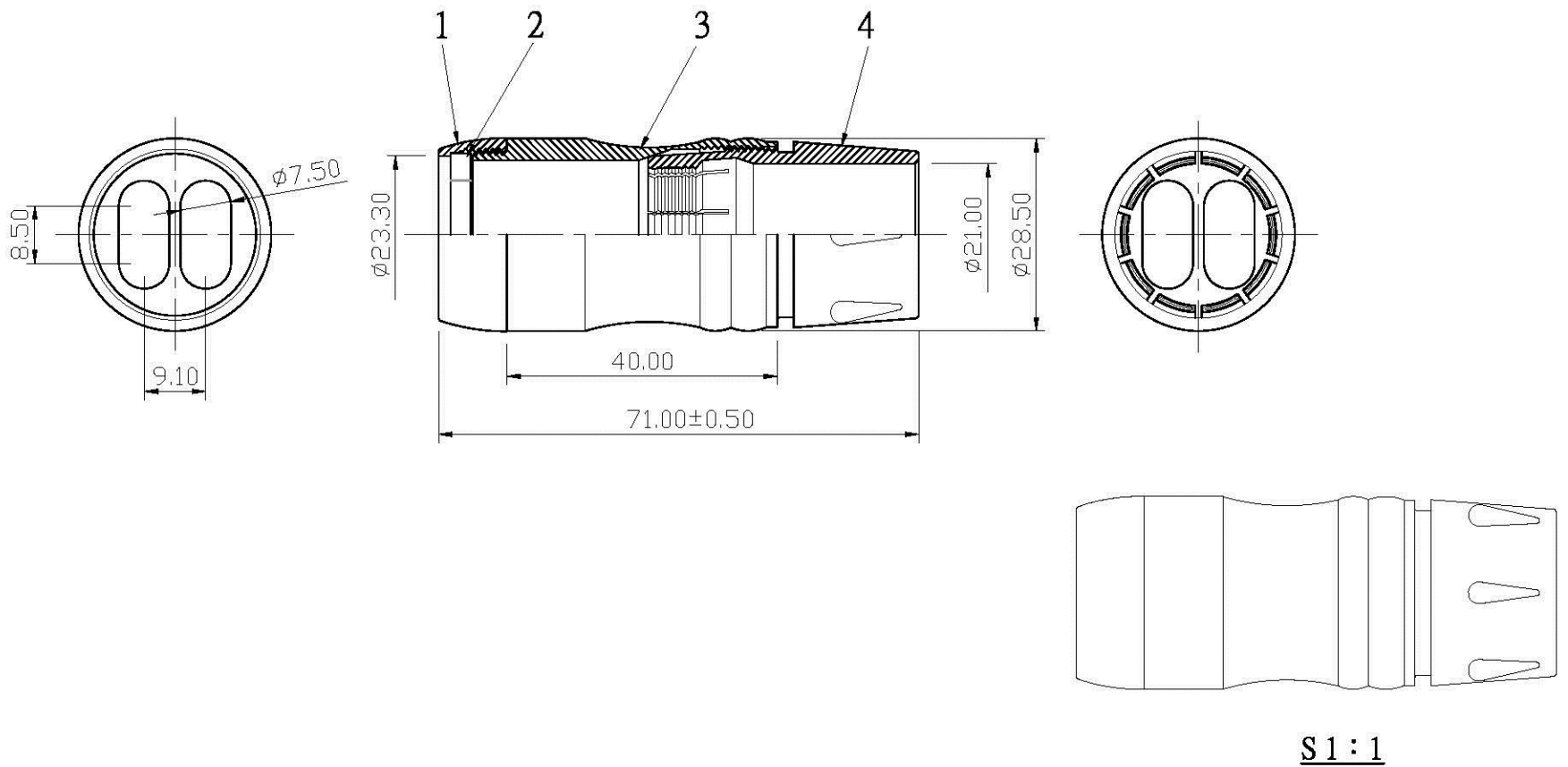



REMARK : RoHS REQUIREMENT APPLIED
(符合RoHS)



7						DIMENSIONS ARE IN MILLIMETERS UNLESS OTHERWISE PECIFIED TOLERANCES (一般公差) 0.5~6 = ±0.2 >6~30 = ±0.4 >30~120 = ±0.6 >120~315 = ±1 >315~1000 = ±1.6 ANGLES(角度) = ±5°	APPROVED	 www.allconnectors.de info@allconnectors.de Tel.: 0049 711 7009502 Fax: 0049 711 7009504 70794 Filderstadt Germany Kottmerstr. 25	
6					CHECKED		TITLE		
5					DRAWN		CABLE STOPPER		
4	headlock	1	brass	gold	<i>Lala</i>		DRAWING NO.		
3	body	1	brass	matte black coated	DATE		CS-104MBCG-FH7.5X2-CH21.0		
2	washer	1	brass	gold	2008. 08. 11	FILE NO. DRAWING\AUDIO\CS\CS-104MBCG-FH7.5X2-CH21.0			
1	headlock	1	brass	gold					
NO.	Description	Unit	Materials	Finish	Drawing No.	SCALE	1 : 1	UNIT	MM