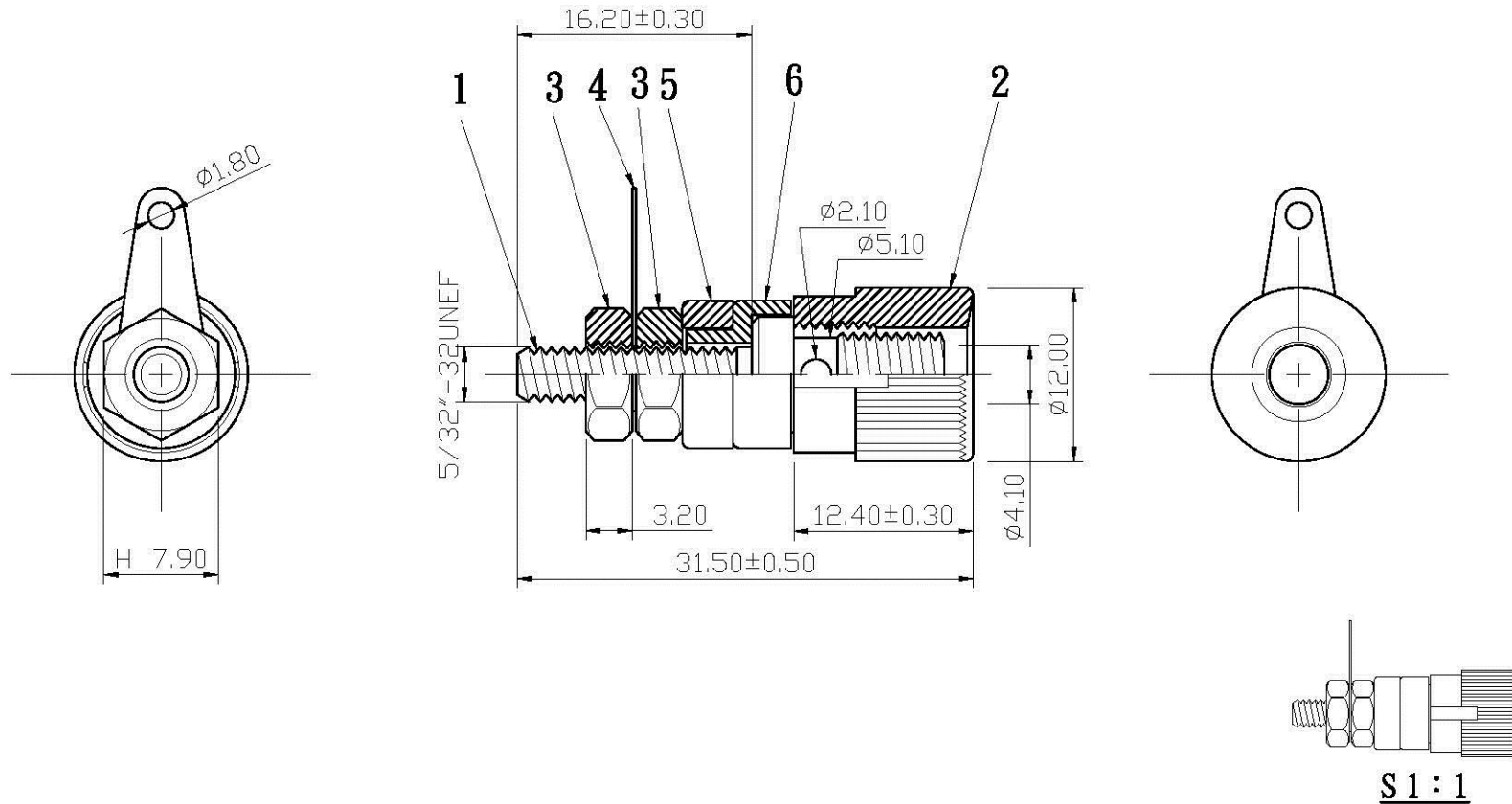



REMARK : RoHS REQUIREMENT APPLIED
(符合RoHS)



NO.	Description	Unit	Materials	Finish	Drawing No.	SCALE	2 : 1	UNIT	MM	DATE	2007. 06. 21	FILE NO.	DRAWINGAUDIO\BNBI-363BK/RDPLG-15mm
7						DIMENSIONS ARE IN MILLIMETERS UNLESS OTHERWISE PECIFIED TOLERANCES (一般公差) 0.5-6 = ±0.1 >6-30 = ±0.15 >30-120 = ±0.2 >120-315 = ±0.3 >315-1000 = ±0.4 ANGLES(角度) = ±3°				APPROVED	 www.allconnectors.de Tel.: 0049 711 7009503 70724 Filderstadt - Germany info@allconnectors.de Fax: 0049 711 7009504 Kettenerstr. 25	TITLE	BINDING POST
6	washer	1	plastic	black/red	CHECKED								
5	washer	1	plastic	black/red	DRAWN								
4	solder tab	1	brass	gold	<i>Tina</i>								
3	nut	2	iron	gold	DATE								
2	shell	1	plastic	black/red									
1	body	1	brass	gold									