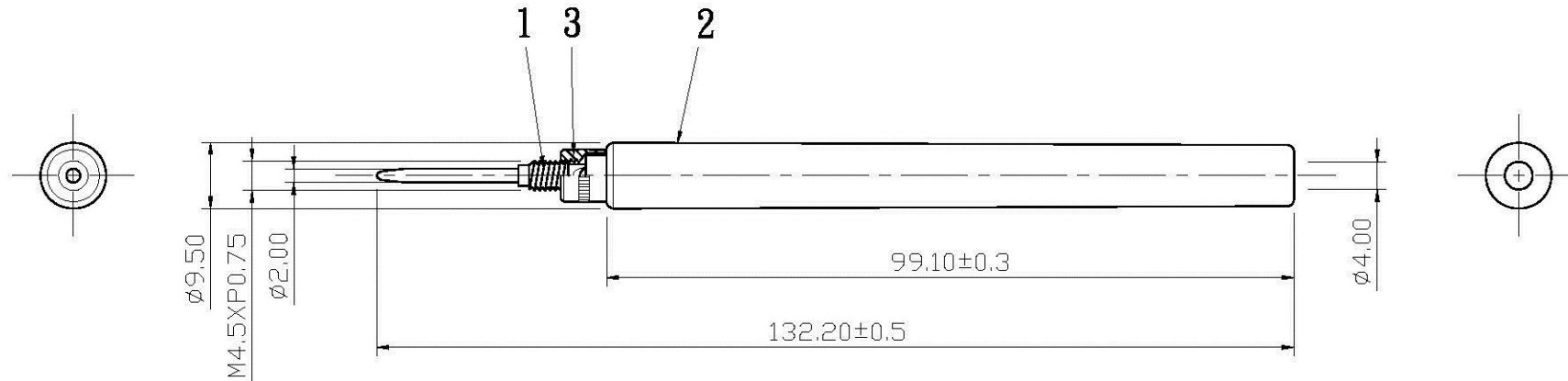



REMARK : RoHS REQUIREMENT APPLIED
(符合RoHS)



S 1 : 1

					DIMENSIONS ARE IN MILLIMETERS				APPROVED	 <small>www.allconnectors.de info@allconnectors.de</small> <small>Tel.: 0049 711 7009503 Fax: 0049 711 7009504</small> <small>70794 Filderstadt - Germany Kettelerstr. 25</small>	
					UNLESS OTHERWISE PECIFIED TOLERANCES (一般公差)				CHECKED		
3	headlock	1	brass	nickel					DRAWN	TITLE BINDING POST	
2	shell	1	plastic	black/red					Otis		
1	body	1	brass	nickel					DATE	DRAWING NO. BI-361BK/RDPLN-30mm	
NO.	Description	Unit	Materials	Finish	Drawing No.	SCALE	1 : 1	UNIT	MM	2008. 01. 31	FILE NO. DRAWINGAUDIOB\BI-361BK/RDPLN-30mm