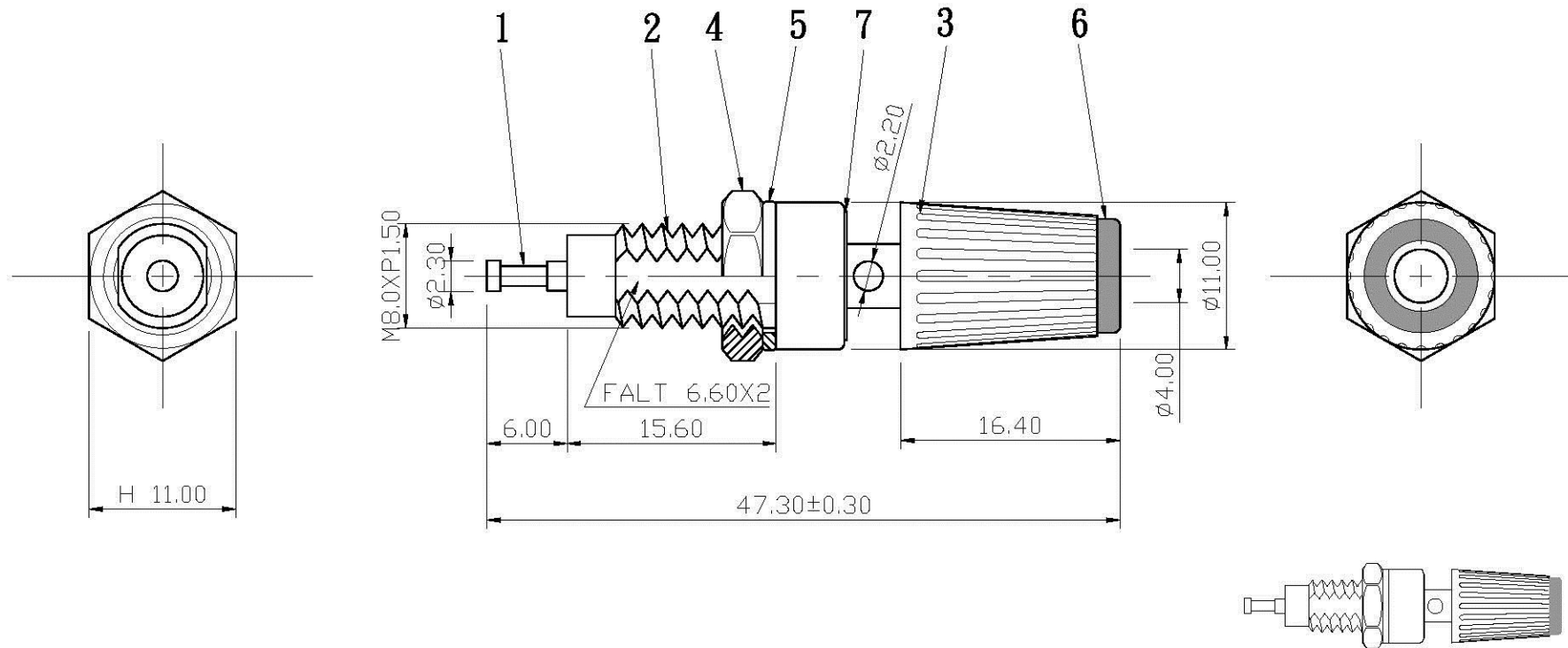


The tolerance without marking are all $\pm 0.25\text{mm}$



S 1 : 1

COMPONENTS LIST

NO.	Description	Unit	Materials	Finish	Drawing No.
1	body	1	brass	nickel	
2	shell	1	plastic	gray(nature)	
3	headlock	1	plastic	gray(nature)	
4	nut	1	brass	nickel	
5	C ring	1	brass	nickel	
6	color ring	1	plastic	blue/black/green/ red/white(nature)	
7	washer	1	brass	nickel	

校對 Check	核准 Approved			
		<small>www.allconnectors.de Tel.: 0049 711 7009503 70734 Ulmerstadt - Germany</small>		
繪圖 Drawing By	Tina	2006. 04. 04	圖名 TITLE	BINDING POST
SCALE	2 : 1	UNIT	圖號 PART NO.	MM BI-359PLN-SH2.2-BE/BK/ GN/RD/WE-15mm
			圖號 DRAWING NO.	06040401-3

Allconnectors

www.allconnectors.de
Tel.: 0049 711 7009503
70734 Ulmerstadt - Germany

info@allconnectors.de
Fax: 0049 711 7009504
Kettnerstr. 25

圖名
TITLE

BINDING POST

型號
PART NO.

BI-359PLN-SH2.2-BE/BK/
GN/RD/WE-15mm

圖號
DRAWING NO.

06040401-3