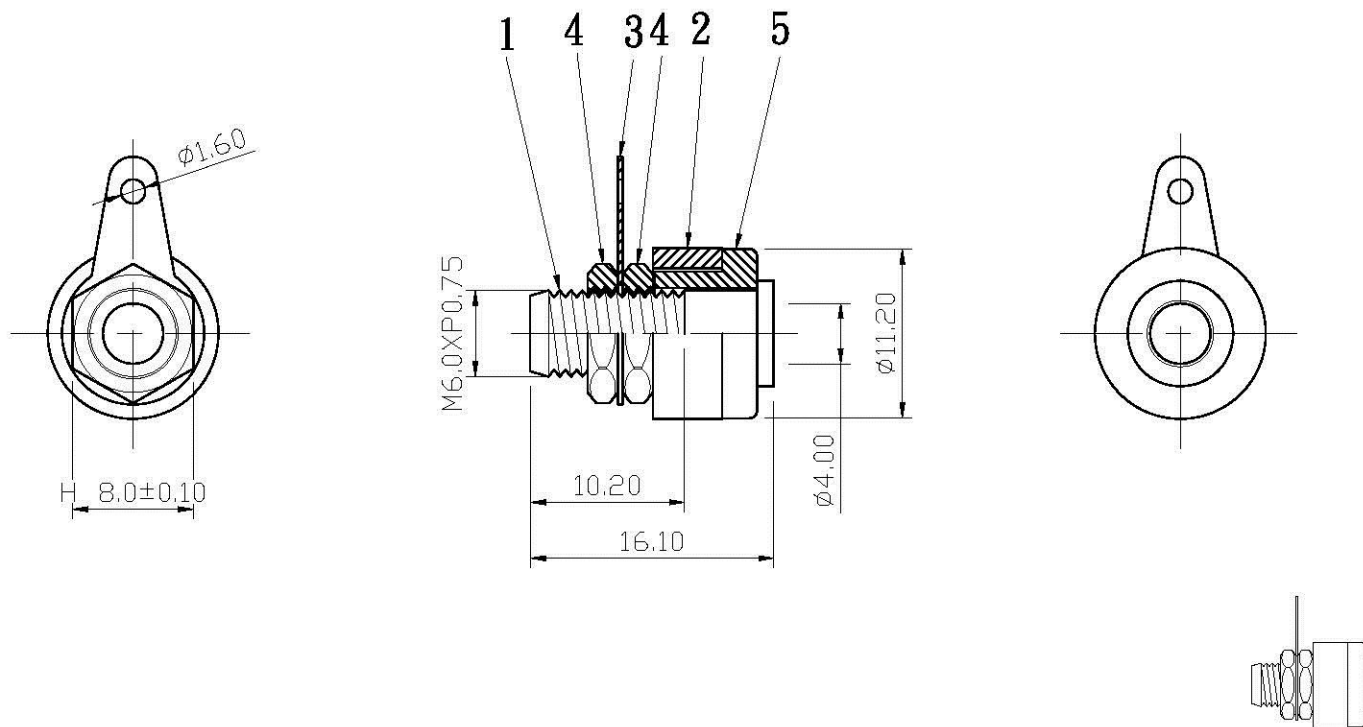



No.	DATE	DESCRIPTION	REV
△	2009. 06. 23	Drawing to renew 圖面更新	A

REMARK : RoHS REQUIREMENT APPLIED
(符合RoHS)



S 1 : 1

7						DIMENSIONS ARE IN MILLIMETERS UNLESS OTHERWISE PECIFIED TOLERANCES (一般公差) 0.5~6 = ±0.2 >6~30 = ±0.4 >30~120 = ±0.6 >120~315 = ±1 >315~1000 = ±1.6 ANGLES(角度) = ±5°	APPROVED	 www.allconnectors.de info@allconnectors.de Tel.: 0049 711 209503 Fax: 0049 711 209504 70794 Filderstadt - Germany Kellernstr. 25			
6					CHECKED		TITLE				
5	washer	1	plastic	red/black/blue yellow/green			BINDING POST				
4	nut	2	iron	nickel			DRAWING NO.				
3	solder tad	1	bronze	nickel			BI-358RD/BK/BE/YW/GNPLN-10mm				
2	washer	1	plastic	red/black/blue yellow/green			FILE NO. DRAWING/AUDIO/BI/BI-358RD/BK/BE/YW/GNPLN-10mm				
1	body	1	brass	nickel		DATE					
NO.	Description	Unit	Materials	Finish	Drawing No.	SCALE	2 : 1	UNIT	MM	DATE	2007. 09. 12