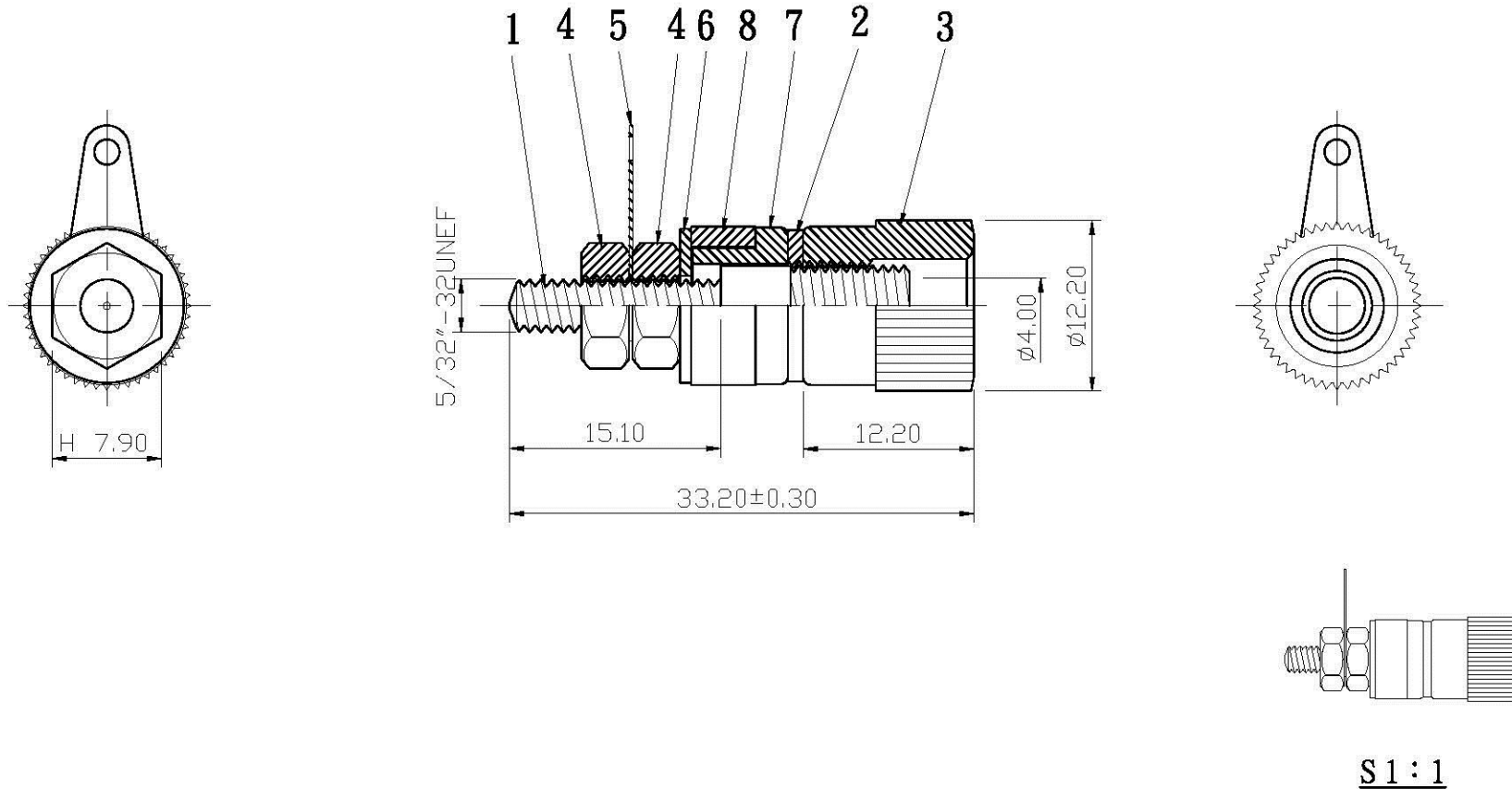



REMARK : RoHS REQUIREMENT APPLIED
(符合RoHS)



8	washer	1	plastic	red/black		DIMENSIONS ARE IN MILLIMETERS UNLESS OTHERWISE PECIFIED TOLERANCES (一般公差) 0.5-6 = ±0.2 >6-30 = ±0.4 >30-120 = ±0.6 >120-315 = ±1 >315-1000 = ±1.6 ANGLES(角度) = ±5°	APPROVED	 <small>www.allconnectors.de Tel.: 0049 711 7009503 70721 Eilderstadt - Germany</small>	
7	washer	1	plastic	red/black			CHECKED		Info@allconnectors.de Fax: 0049 711 7009504 Kettlemersstr. 2b
6	washer	1	iron	nickel			DRAWN <i>Lala</i>		TITLE BINDING POST
5	solder tab	1	bronze	nickel			DATE 2008.06.09	DRAWING NO. BI-357BK/RDPLN-15mm	
4	nut	2	iron	nickel				FILE NO. DRAWING\AUDIO\BI\BI-357BK/RDPLN-15mm	
3	shell	1	plastic	red/black					
2	washer	1	brass	nickel					
1	body	1	brass	nickel					
NO.	Description	Unit	Materials	Finish	Drawing No.	SCALE	2 : 1	UNIT	MM