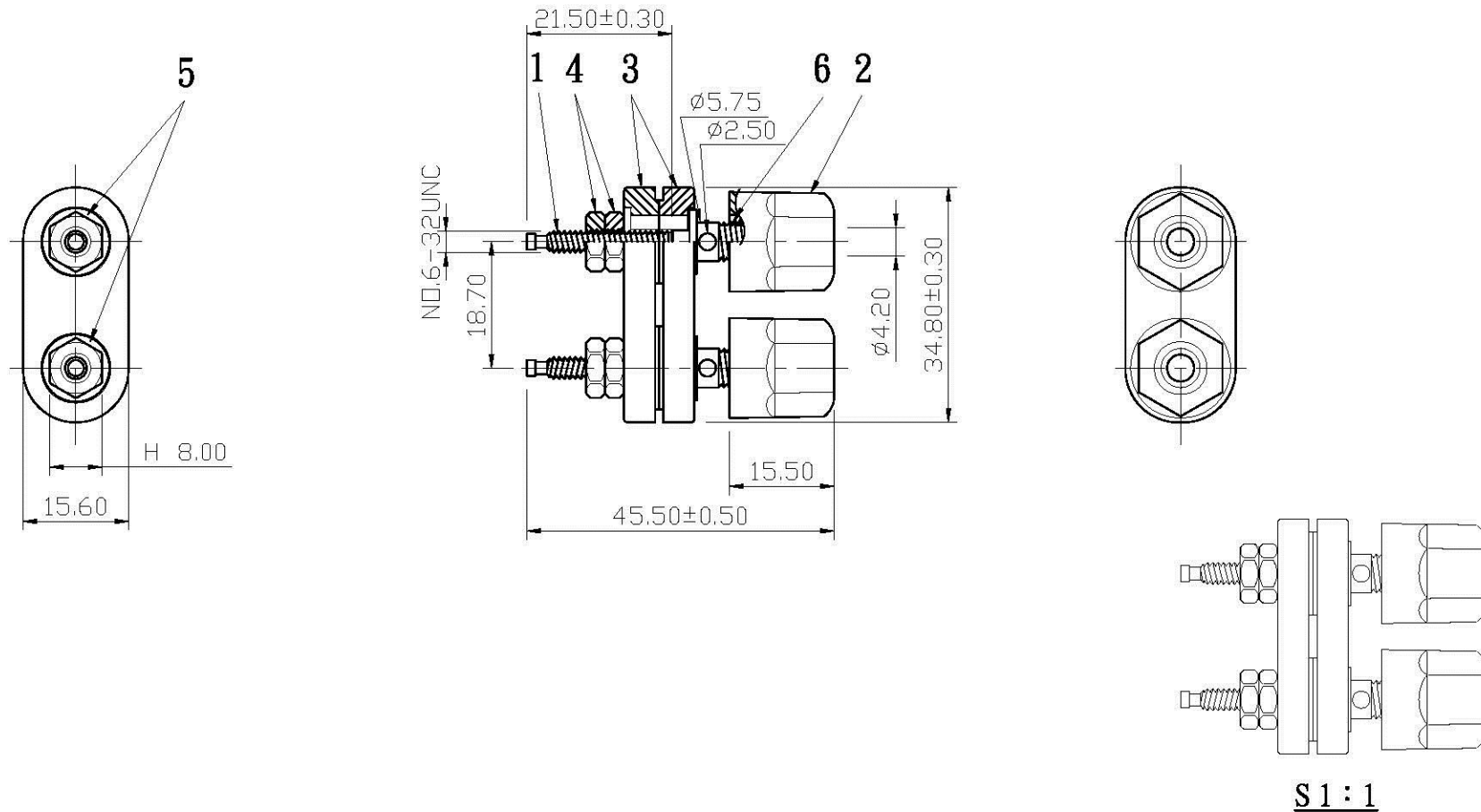



REMARK : RoHS REQUIREMENT APPLIED
(符合RoHS)



NO.	Description	Unit	Materials	Finish	Drawing No.	SCALE	1 : 1	UNIT	MM			
7						DIMENSIONS ARE IN MILLIMETERS UNLESS OTHERWISE PECIFIED TOLERANCES (一般公差) 0.5-6 = ±0.2 >6-30 = ±0.4 >30-120 = ±0.6 >120-315 = ±1 >315-1000 = ±1.6 ANGLES(角度) = ±5°						
6	ferrule	2	brass	gold								
5	washer	2	brass	gold								
4	nut	4	brass	gold								
3	bridge	2	plastic	red & black								
2	shell	2	plastic	red & black								
1	body	2	brass	gold								
						APPROVED	 www.allconnectors.de Tel.: 0049 711 7009503 70794 Filderstadt - Germany info@allconnectors.de Fax: 0049 711 7009504 Kettnerstr. 25					
						CHECKED						
						DRAWN						
						Otis DATE 2008. 01. 22						
						TITLE BINDING POST						
						DRAWING NO. BI-354BK&RDPLG-BK&RD-20mm						
						FILE NO. DRAWING\AUDIO\BI-354BK&RDPLG-BK&RD-20mm						