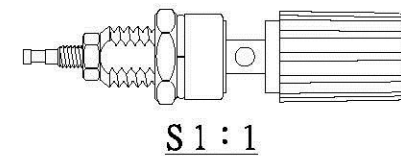
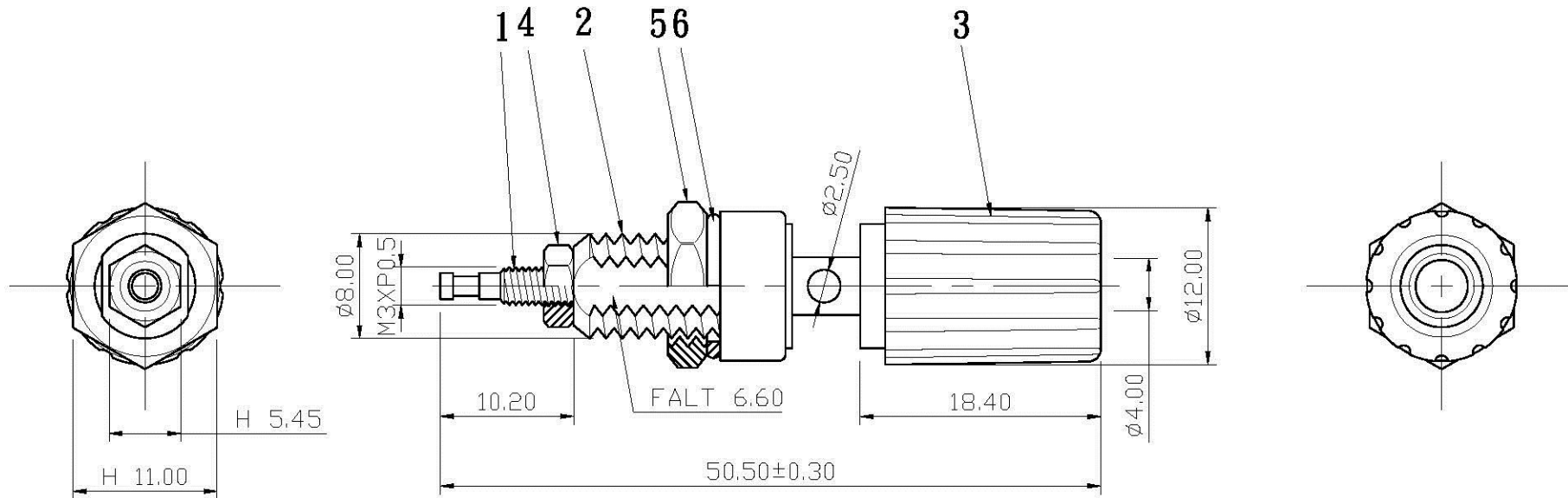


The tolerance without marking are all $\pm 0.25\text{mm}$



COMPONENTS LIST

NO.	Description	Unit	Materials	Finish	Drawing No.
1	body	1	brass	nickel	
2	shell	1	plastic	black/red(nature)	
3	headlock	1	plastic	black/red(nature)	
4	nut	1	brass	nickel	
5	nut	1	brass	nickel	
6	C ring	1	brass	nickel	

校對 Check		核准 Approved		 www.allconnectors.de Tel.: 0049 711 7009503 70794 Ulmerstadt - Germany info@allconnectors.de Fax: 0049 711 7009504 Kettenerstr. 25	
繪圖 Drawing By		Tina	2006.06.30	圖名 TITLE	BINDING POST
SCALE		2 : 1	UNIT	圖號 PART NO.	MM BI-353BK/RDPLG-SH2.5-10mm
				圖號 DRAWING NO.	06063001-3