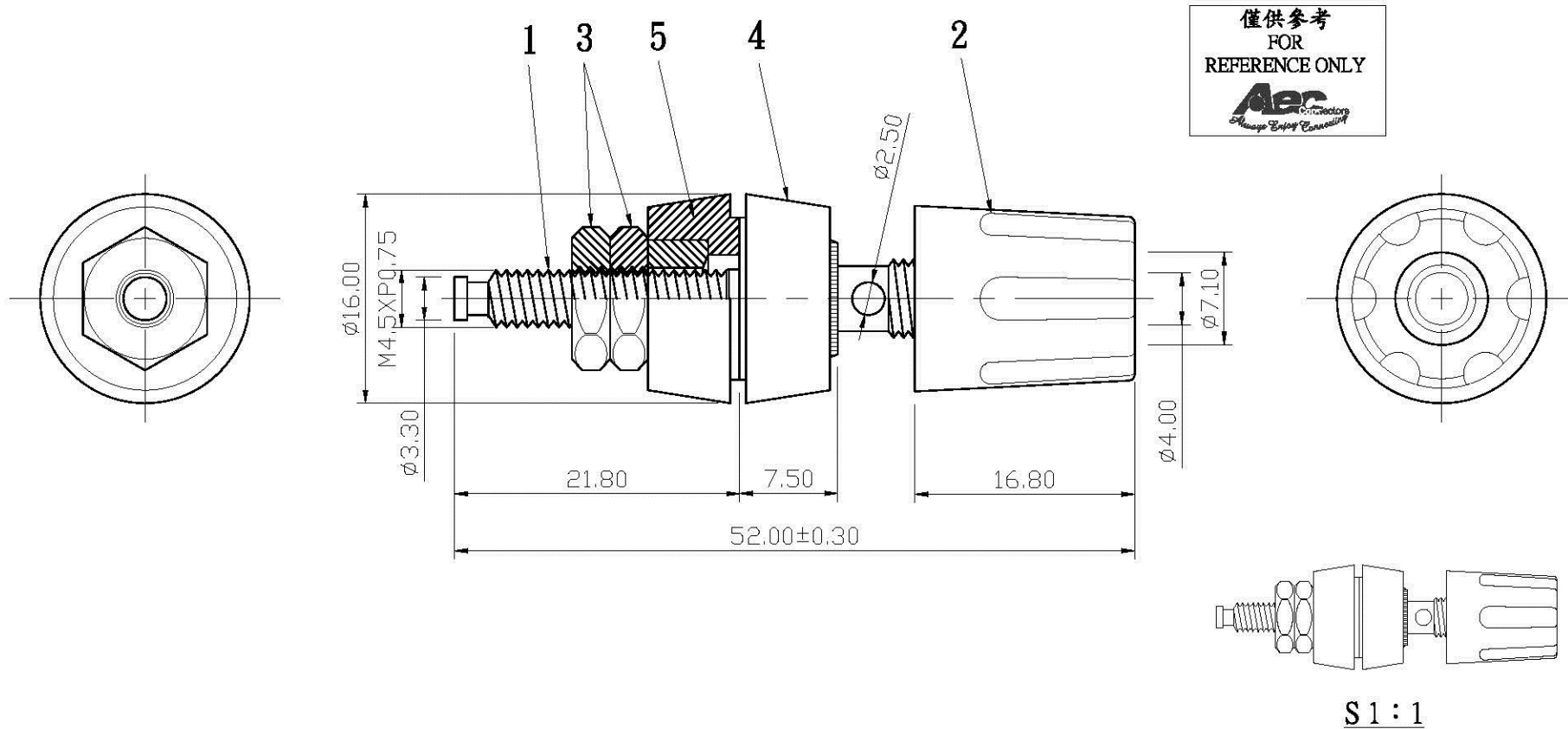



The tolerance without marking are all $\pm 0.25\text{mm}$



COMPONENTS LIST

NO.	Description	Unit	Materials	Finish	Drawing No.
1	body	1	brass	nickel	
2	shell	1	plastic	black/red(nature)	
3	nut	2	brass	nickel	
4	washer	1	plastic	black/red(nature)	
5	washer	1	plastic	black/red(nature)	

校對 Check		核准 Approved			
				www.allconnectors.de tel.: 0049 711 709503 70794 Filderstadt, Germany	
				info@allconnectors.de fax: 0049 711 709507 Kellenmstr. 25	
繪圖 Drawing By		Tina		2006.06.26	
SCALE		2 : 1		UNIT MM	
				圖名 TITLE	
				BINDING POST	
				型號 PART NO.	
				BI-352BK/RDPLN-SH2.5-BK/RD-20mm	
				圖號 DRAWING NO.	
				06062602-3	