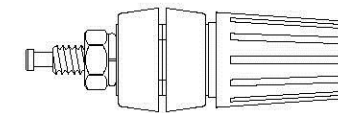
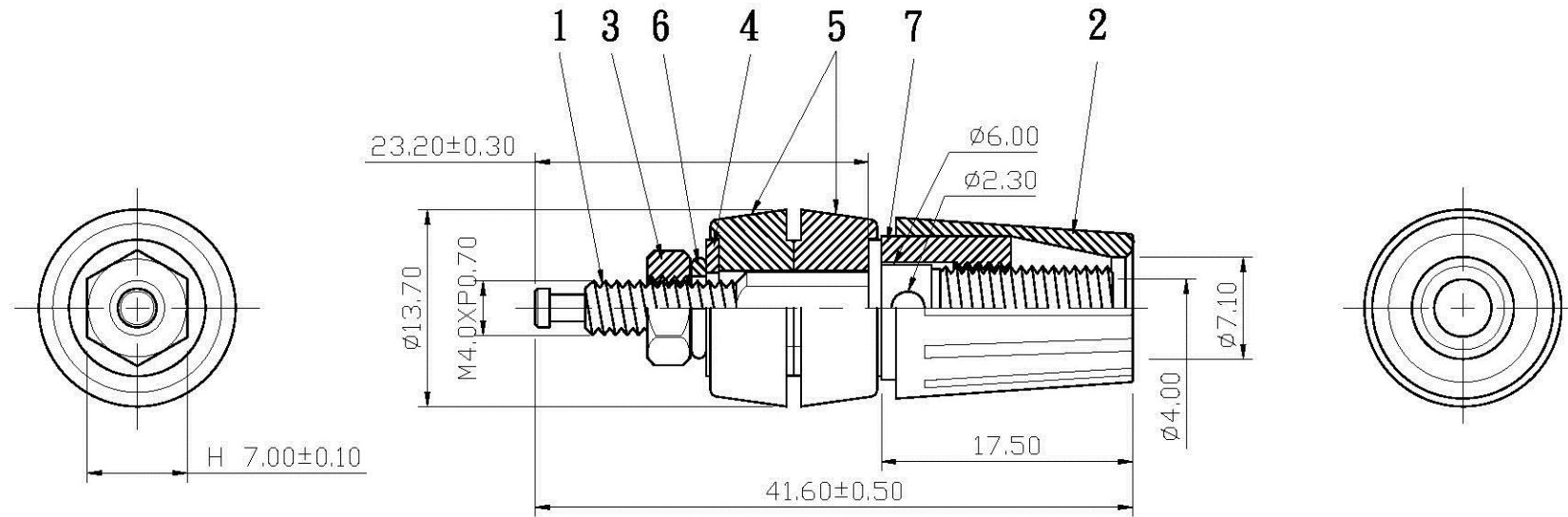



REMARK : RoHS REQUIREMENT APPLIED
(符合RoHS)



S1 : 1

7	ferrule	1	brass	nickel		DIMENSIONS ARE IN MILLIMETERS UNLESS OTHERWISE PECIFIED TOLERANCES (一般公差) 0.5~6 = ±0.2 >6~30 = ±0.4 >30~120 = ±0.6 >120~315 = ±1 >315~1000 = ±1.6 ANGLES(角度) = ±5°	APPROVED	 www.allconnectors.de TEL: 0049 711 7009503 70794 Filderstadt - Germany info@allconnectors.de FAX: 0049 711 7009504 Kettenerstr. 25					
6	washer	1	iron	nickel			CHECKED						
5	washer	2	plastic	black/red			DRAWN						
4	ring	1	brass	nickel			<i>Lala</i>						
3	nut	1	iron	nickel			DATE						
2	shell	1	plastic	black/red			2009. 08. 14						
1	body	1	brass	nickel			TITLE						
NO.	Description	Unit	Materials	Finish	Drawing No.	SCALE	2 : 1	UNIT	MM	DRAWING NO.	BI-351BK/RDPLN-BK/RD-20mm	FILE NO.	DRAWING\AUDIO\BIBI-351BK/RDPLN-BK/RD-20mm