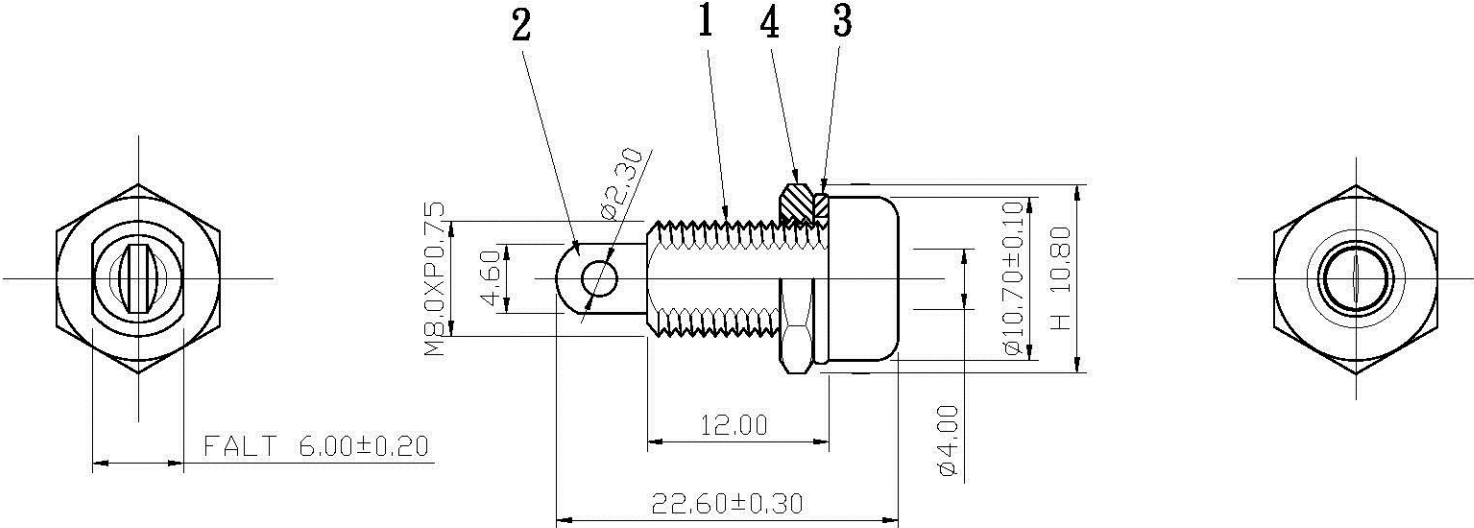



REMARK : RoHS REQUIREMENT APPLIED
(符合RoHS)



S 1 : 1

7						DIMENSIONS ARE IN MILLIMETERS UNLESS OTHERWISE PECIFIED TOLERANCES (一般公差) 0.5~6 = ±0.2 >6~30 = ±0.4 >30~120 = ±0.6 >120~315 = ±1 >315~1000 = ±1.6 ANGLES(角度) = ±5°	APPROVED	 www.allconnectors.de Tel.: 0049 /11 7009505 70794 Filderstadt Germany Info@allconnectors.de Fax: 0049 /11 7009501 Kettenerstr. 25	
6					CHECKED		TITLE		
5					DRAWN		BINDING POST		
4	nut	1	iron	nickel	<i>Lala</i>		DRAWING NO.		
3	washer	1	EK7	nickel	2007. 12. 10		BI-254RD/BK/BE/GNPLN-10mm		
2	solder pin	1	brass	nickel			FILE NO. DRAWING\AUDIO\BNBI-254RD/BK/BE/GNPLN-10mm		
1	body	1	ABS	red/black/blue/green					
NO.	Description	Unit	Materials	Finish	Drawing No.	SCALE	2 : 1	UNIT	MM