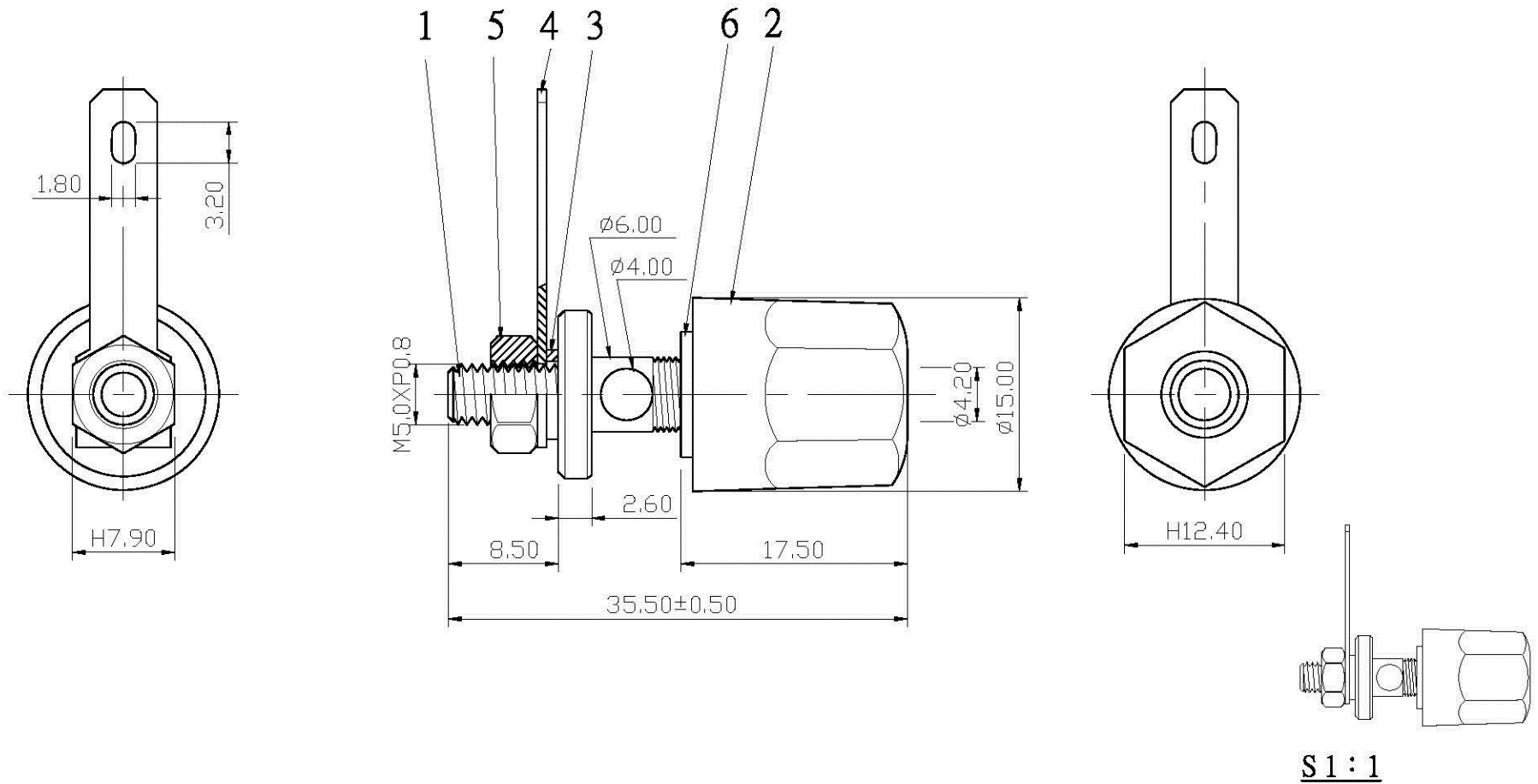



REMARK : RoHS REQUIREMENT APPLIED
(符合RoHS)



S 1 : 1

7						DIMENSIONS ARE IN MILLIMETERS UNLESS OTHERWISE PECIFIED TOLERANCES (一般公差) 0.5-6 = ±0.2 >6-30 = ±0.4 >30-120 = ±0.6 >120-315 = ±1 >315-1000 = ±1.6 ANGLES(角度) = ±5°	APPROVED	 www.allconnectors.de Tel.: 0049 711 7009503 70794 Filderstadt Germany info@allconnectors.de Fax: 0049 711 7009504 Kottenerstr. 25	
6	ring	1	brass	nickel			CHECKED		TITLE
5	nut	1	brass	nickel			DRAWN		BINDING POST
4	solder tab	1	brass	nickel			<i>Lala</i>	DRAWING NO.	
3	washer	1	brass	nickel			DATE	BI-253RD/BKPLN-10mm	
2	shell	1	plastic	red/black			2008. 10. 28	FILE NO.	
1	body	1	brass	nickel				DRAWINGAUDIO\BI\BI-253RD/BKPLN-10mm	
NO.	Description	Unit	Materials	Finish	Drawing No.	SCALE	2 : 1	UNIT	MM